

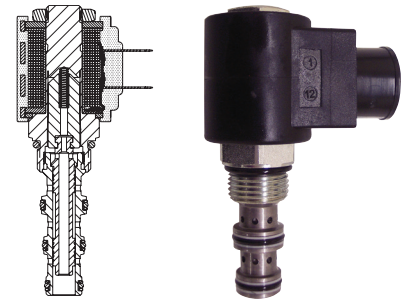
SV08-41

4 Way, 2 Position, Spool, 207 BAR Rated

A solenoid-operated, four-way, two-position, direct-acting, spool-type, screw-in hydraulic cartridge valve.

Voltage	Hydraforce code	Article no.	Price £	Price €
CARTRIDGE VERSION				
24V DC	SV08-41-0-N-24DG	SV0841C24	£130.80	€157.00
110V AC	SV08-41-0-N-115AG	SV0841C115	£155.80	€186.90
220V AC	SV08-41-0-N-230AG	SV0841C230	£163.20	€195.80
INLINE WITH BODY 1/4" BSP				
24V DC	SV08-41-2B-N-24DG	SV08412B24	£202.60	€255.20
110V AC	SV08-41-2B-N-115AG	SV08412B110	£237.60	€285.10
220V AC	SV08-41-2B-N-230AG	SV08412B230	£245.00	€294.00
INLINE WITH BODY 3/8" BSP				
24V DC	SV08-41-3B-N-24DG	SV08413B24	£236.30	€283.50
110V AC	SV08-41-3B-N-115AG	SV08413B110	£261.20	€313.40
220V AC	SV08-41-3B-N-230AG	SV08413B230	£268.60	€322.40
with nitril seals				
WITH 'G' DIN CONNECTOR PLUG				

On request - Viton Seals - Screen filter protection - Manual Override
 On request - For DC coils with spade or push on connections



Materials

Cartridge:

Weight: 0.13 kg. (0.28 lbs.)
 Steel with hardened work surfaces.
 Zinc-plated exposed surfaces.
 Buna N O-rings and back-ups standard.

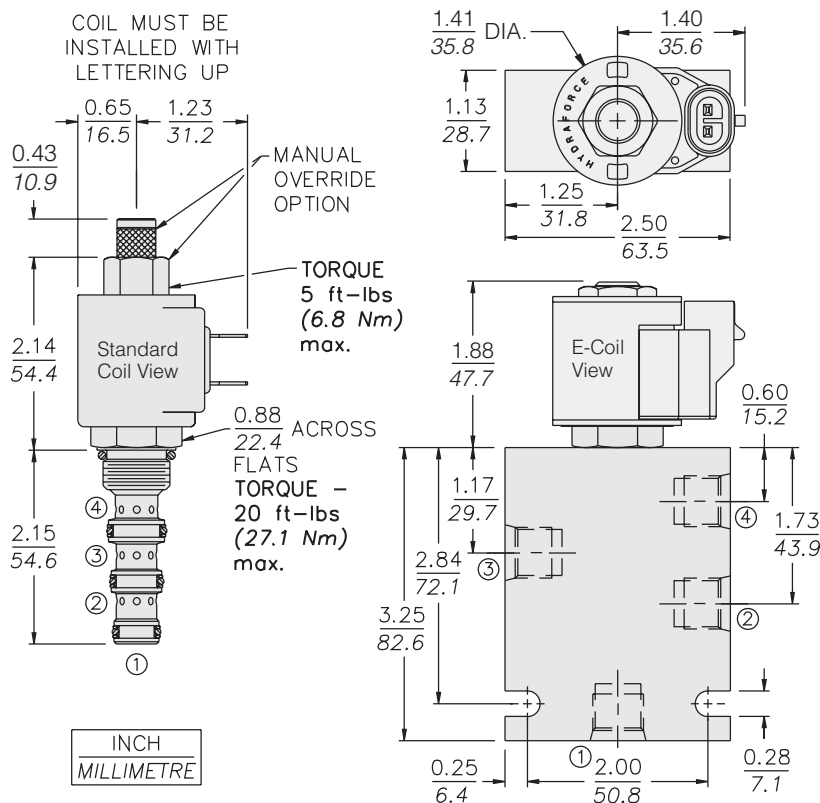
Standard Ported Body:

Weight: 0.27 kg. (0.60 lbs.)
 Anodized high-strength 6061 T6 aluminum alloy, rated to 207 bar (3000 psi).
 Ductile iron bodies available;
 dimensions may differ.

Standard Coil:

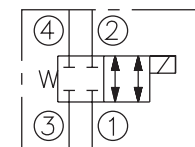
Weight: 0.11 kg. (0.25 lbs.)
 Unitized thermoplastic encapsulated.

Dimensions



Symbols

USASI/ISO:



Performance (Cartridge Only)

