

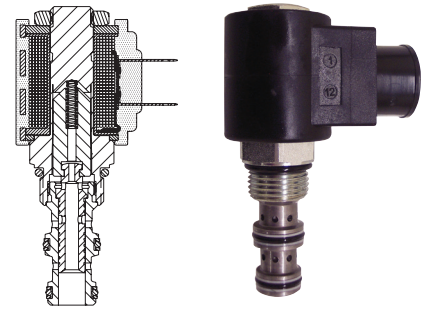
SV08-33

3 Way, Spool, 207 BAR Rated

A solenoid-operated, 3-way, direct-acting, spool-type, screw-in hydraulic directional valve.

Voltage	Hydraforce code	Article no.	Price £	Price €
CARTRIDGE VERSION				
24V DC	SV08-33-0-N-24DG	SV0833C24	£118.10	€141.80
110V AC	SV08-33-0-N-115AG	SV0833C115	£143.10	€171.70
220V AC	SV08-33-0-N-230AG	SV0833C230	£150.50	€180.60
INLINE WITH BODY 1/4" BSP				
24V DC	SV08-33-2B-N-24DG	SV08332B24	£186.80	€224.20
110V AC	SV08-33-2B-N-115AG	SV08332B110	£211.80	€254.10
220V AC	SV08-33-2B-N-230AG	SV08332B230	£219.20	€263.00
INLINE WITH BODY 3/8" BSP				
24V DC	SV08-33-3B-N-24DG	SV08333B24	£186.80	€224.20
110V AC	SV08-33-3B-N-115AG	SV08333B110	£211.80	€254.10
220V AC	SV08-33-3B-N-230AG	SV08333B230	£219.20	€263.00
with nitril seals				
WITH 'G' DIN CONNECTOR PLUG				

On request - Viton Seals - Screen filter protection - Manual Override
 On request - For DC coils with spade or push on connections



Materials

Cartridge:

Weight: 0.13 kg. (0.28 lbs.)
 Steel with hardened work surfaces.
 Zinc-plated exposed surfaces.
 Buna N O-rings and back-ups standard.

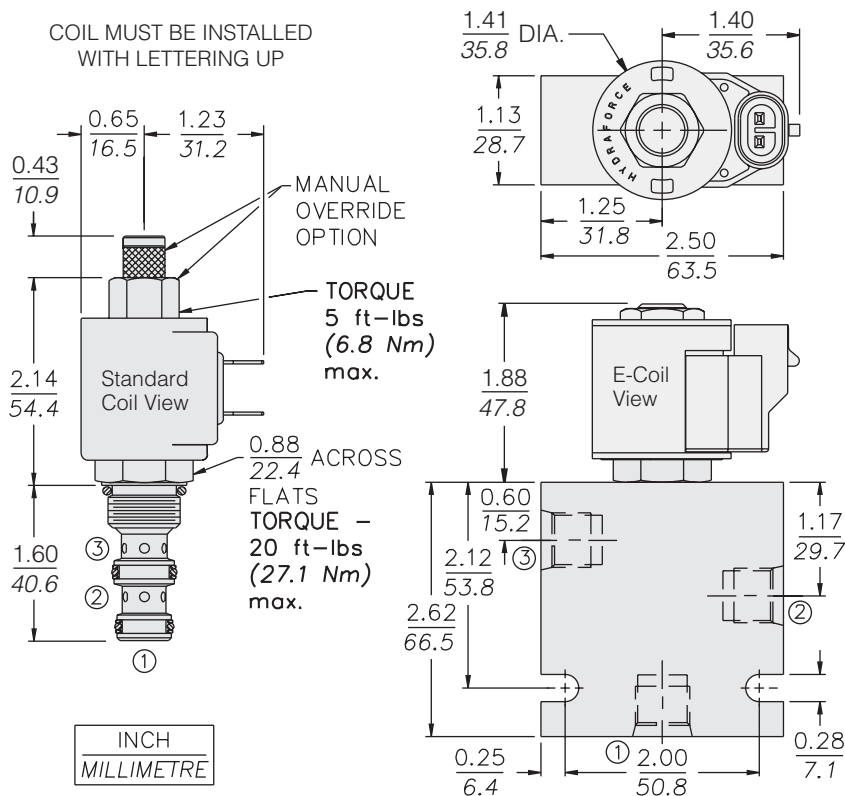
Standard Ported Body:

Weight: 0.27 kg. (0.60 lbs.)
 Anodized high-strength 6061 T6 aluminum alloy, rated to 207 bar (3000 psi).
 Ductile iron bodies available; dimensions may differ.

Standard Coil:

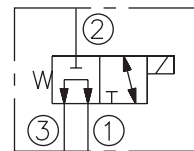
Weight: 0.11 kg. (0.25 lbs.)
 Unitized thermoplastic encapsulated.

Dimensions



Symbols

USASI/ISO:



Performance (Cartridge Only)

