

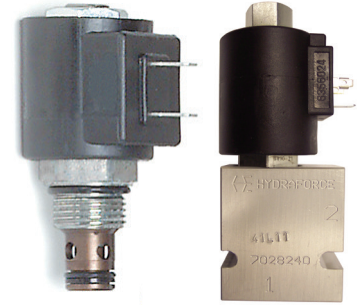
SV08-23

2 Way, Normally Open, 207 BAR Rated

A solenoid-operated, two-way, poppet-type, normally open, screw-in, hydraulic cartridge valve designed for low leakage in load-holding applications.

Voltage	Hydraforce code	Article no.	Price £	Price €
CARTRIDGE VERSION				
24V DC	SV08-23-0-N-24DG	SV0823C24	£136.50	€163.80
110V AC	SV08-23-0-N-115AG	SV0823C115	£161.40	€193.70
220V AC	SV08-23-0-N-230AG	SV0823C230	£168.90	€202.70
INLINE WITH BODY 1/4" BSP				
24V DC	SV08-23-2B-N-24DG	SV08232B24	£195.60	€234.70
110V AC	SV08-23-2B-N-115AG	SV08232B110	£220.50	€264.60
220V AC	SV08-23-2B-N-230AG	SV08232B230	£228.00	€273.50
INLINE WITH BODY 3/8" BSP				
24V DC	SV08-23-3B-N-24DG	SV08233B24	£197.80	€237.30
110V AC	SV08-23-3B-N-115AG	SV08233B115	£222.70	€267.20
220V AC	SV08-23-3B-N-230AG	SV08233B230	£230.10	€276.20
with nitril seals				
WITH 'G' DIN CONNECTOR PLUG				

On request - Viton Seals - Screen filter protection - Manual Override
On request - For DC coils with spade or push on connections



Materials

Cartridge:

Weight: 0.09 kg. (0.20 lbs.)
Steel with hardened work surfaces.
Zinc-plated exposed surfaces.
Buna N O-rings and polyester elastomer back-up standard.

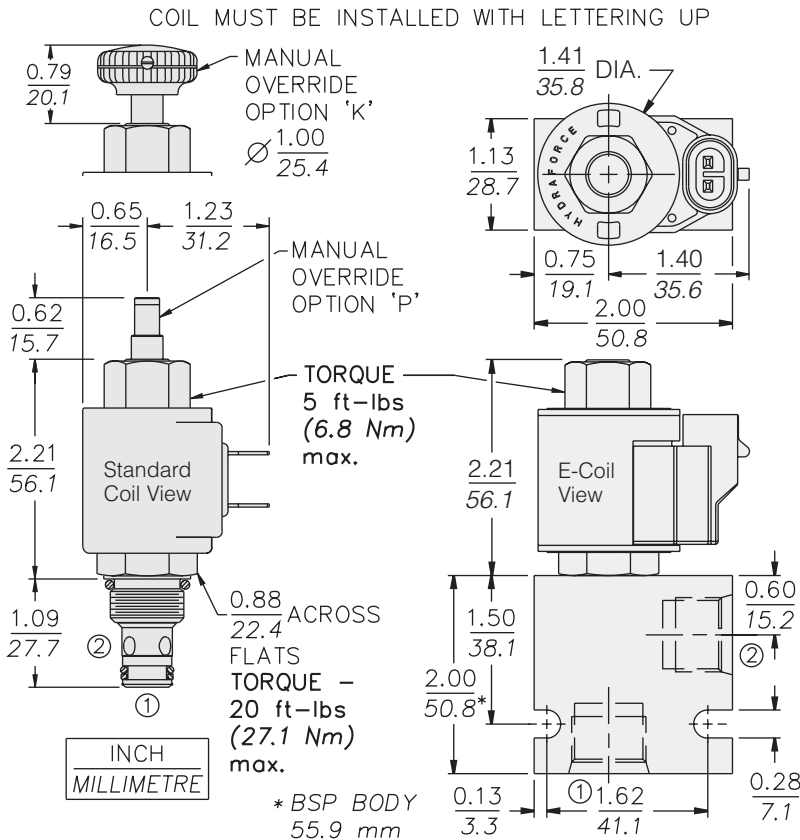
Standard Ported Body:

Weight: 0.16 kg. (0.35 lbs.)
Anodized high-strength 6061 T6 aluminum alloy, rated to 207 bar (3000 psi).
Ductile iron bodies available; dimensions may differ.

Standard Coil:

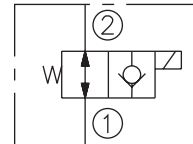
Weight: 0.11 kg. (0.25 lbs.)
Unitized thermoplastic encapsulated.

Dimensions

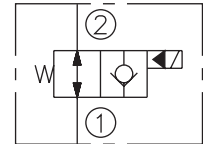


Symbols

USASI:



ISO:



Performance (Cartridge Only)

