



# SERIES: IA - ISO A

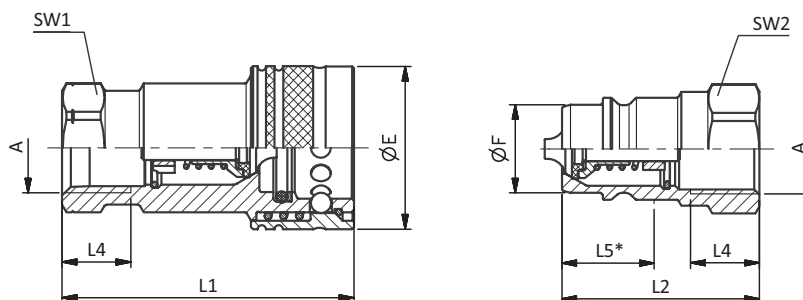
**316 Stainless Steel**  
**ISO Interchange according to ISO 7241-1 Series A**

## Product Features

- Poppet valve
- Coupling made of stainless steel (AISI 316)
- Integrated locking system preventing unintentional release of the coupling

## Technical Features

Material	Stainless Steel V4A (AISI 316)
Standard Seal	FKM (Viton®) Other materials available on request
Working Temperature	-25°C to +200°C / -13°F to +392°F
Connection	Push and actuate push sleeve
Disconnection	Actuate Push Sleeve
Connect Under Pressure	Not allowed
Application	Agricultural and forestry machinery, industrial hydraulic



SW: Width across flats. All dimensions in mm  
 \* Insertion Male Tip.

## Dimensions (mm)

Nominal Size	Port A	ØE	ØF	L1	L2	L4 min	L5	SW1	SW2	Female Body Weight kg	Male Tip Weight kg
6.3	G1/4"	26	11.8	50	35.5	12	13.7	19	19	0.116	0.035
10	G3/8"	31.5	17.3	56	36.5	12.6	18	22	22	0.153	0.050
12	G1/2"	38.6	20.5	66	43.5		21.5	27	27	0.270	0.087
19	G3/4"	48	29.1	80.2	57	18	26.8	34	34	0.514	0.199
25	G1"	56	34.5	94	59.5	18	33	41	41	0.789	0.257
31	G1 1/4"	69.8	45	117	75	24	41.3	50	50	1.283	0.547
38	G1 1/2"	84.5	55	133	83.5	27	48.8	60	60	2.164	0.870
51	G2"	99	65	165	105	26		75	75	5.00	1.804

## Technical Data

Series	DN			Q max	Working Pressure		Bursting Pressure				Spillage		
	ISO 4397				bar	PSI	Connected		Female Body			Male Tip	
	Inch	mm	l/min				bar	PSI	bar	PSI		bar	PSI
IA-06	1/4	6.3	17	450	6527	2900	42061	2900	42061	3200	46412	0.5	
IA-10	3/8	10	46	300	4351	1300	18855	1250	18130	1250	18130	1.9	
IA-12	1/2	12.5	90	300	4351	1350	19580	1200	17405	1200	17405	2.7	
IA-19	3/4	19 (20)	190	250	3626	1100	15954	1000	14504	800	11603	9.3	
IA-25	1	25	280	200	2901	850	12328	650	9427	600	8702	19	
IA-31	1 1/4	31	480	100	1450	400	5802	400	5802	400	5802	30	
IA-38	1 1/2	38	700	80	1160	320	4641	320	4641	320	4641	54	
IA-51	2	51	1000	60	870	250	3626	250	3626	250	3626	120	

The indicated pressure ratings only apply to the coupling itself and depend on the connection type.

# SERIES: IA - ISO A

316 Stainless Steel

ISO Interchange according to ISO 7241-1 Series A



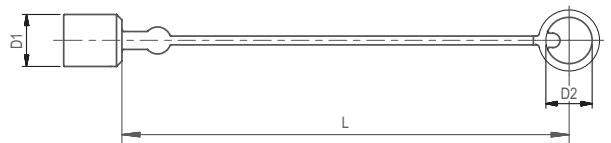
QUICK CONNECT COUPLINGS

Size	Article no.	Description	Price £	Price €
1/4" BSP	620001	ISO A Female 06 Body 1/4" BSPF	£85.80	€90.10
1/4" BSP	620002	ISO A Male 06 Body 1/4" BSPF	£37.20	€39.00
3/8" BSP	620003	ISO A Female 10 Body 3/8" BSPF	£92.90	€97.60
3/8" BSP	620004	ISO A Male 10 Body 3/8" BSPF	£39.70	€41.60
1/2" BSP	620005	ISO A Female 12 Body 1/2" BSPF	£98.30	€103.20
1/2" BSP	620006	ISO A Male 12 Body 1/2" BSPF	£44.20	€46.40
3/4" BSP	620007	ISO A Female 19 Body 3/4" BSPF	£146.20	€153.50
3/4" BSP	620008	ISO A Male 19 Body 3/4" BSPF	£74.70	€78.40
1" BSP	620009	ISO A Female 25 Body 1" BSPF	£216.90	€227.70
1" BSP	620010	ISO A Male 25 Body 1" BSPF	£105.30	€110.60
1 1/4" BSP	620011	ISO A Female 31 Body 1 1/4" BSPF	£431.00	€452.60
1 1/4" BSP	620012	ISO A Male 31 Body 1 1/4" BSPF	£215.50	€226.30
1 1/2" BSP	620013	ISO A Female 38 Body 1 1/2" BSPF	£520.50	€546.50
1 1/2" BSP	620014	ISO A Male 38 Body 1 1/2" BSPF	£285.60	€299.80
2" BSP	620015	ISO A Female 51 Body 2" BSPF	£985.80	€1,035.10
2" BSP	620016	ISO A Male 51 Body 2" BSPF	£549.20	€576.60

# SERIES: IA - DUST PROTECTION

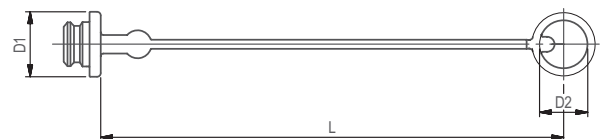
## Dust Cap for Male Tip

Size	D1	D2	L	Material	Article no.	Price £	Price €
6	11	6	110	Plastic Red - Standard	IA06MR	£1.30	€1.50
10	24	22	220		IA10MR	£0.40	€0.50
12	29	26	250		IA12MR	£0.60	€0.80
19	36.5	36	270		IA19MR	£0.80	€1.00
25	36	28	235		IA25MR		



## Dust Plug for Female Body

Size	D1	D2	L	Material	Article no.	Price £	Price €
6	10	6	110	Plastic Red - Standard	IA06FR	£1.10	€1.30
10	28	22	220		IA10FR	£1.70	€2.10
12	35	26	250		IA12FR	£0.60	€0.80
19	42	36	270		IA19FR	£0.80	€1.00
25	41	28	235		IA25FR	£1.00	€1.20



In addition to the standard colours as stated above, plastic dust caps are also available in blue, green, yellow and black.