



# SERIES: HUS

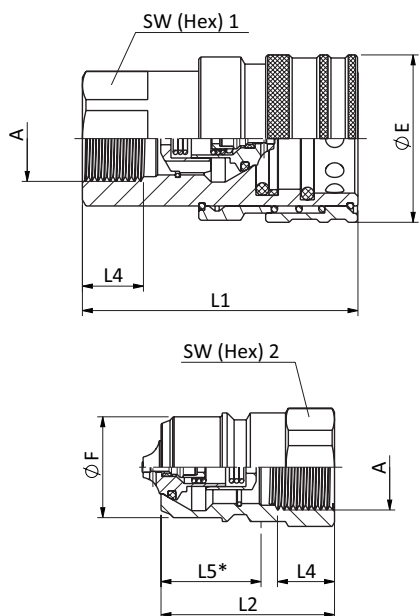
**Carbon Steel**  
**Connection under pressure**  
**Nordic interchange**

## Product Features

- Poppet valve
- Coupling made from carbon steel with Zinc/Nickel surface coating
- Integrated locking system preventing unintentional release of the coupling
- Nordic interchange
- Female body is supplied with safety locking ring
- Male and Female poppet valves fitted with decompression valve (pressure eliminator)

## Technical Features

Material	Carbon Steel
Surface Finishing	Zinc-Nickel
Standard Seal	NBR (Buna-N®)
	Other materials available on request
Working Temperature	-30° C ... +106° C / -22° F ... +223° F
Valve Design	Poppet Valve
Connection	Push
Disconnection Actuate	Push Sleeve
Connect Under Pressure	Male Tip/Female Body
Application	Construction Machinery, Industrial Hydraulic, Forestry



SW: Width across flats. All dimensions in mm

Article no.	Description	Price £	Price €
611001	HUS Female 10 Body 3/8" BSPF	£24.90	€26.10
611002	HUS Male 10 Body 3/8" BSPF	£8.20	€8.60
611003	HUS Female 12 Body 1/2" BSPF	£22.50	€23.60
611004	HUS Male 12 Body 1/2" BSPF	£9.80	€10.20
611005	HUS Female 19 Body 3/4" BSPF	£37.70	€39.50
611006	HUS Male 19 Body 3/4" BSPF	£18.60	€19.50
611007	HUS Female 25 Body 1" BSPF	£44.00	€46.20
611008	HUS Male 25 Body 1" BSPF	£31.90	€33.50

## Dimensions (mm)

Nominal Size	Port A	ØE	ØF	L1	L2	L4 min	L5	SW1	SW2	Female Body Weight kg	Male Tip Weight kg
10	G3/8"	35	19.9	61.6	38	12	23	24	22	0.237	0.059
12	G1/2"	41	24.7	67.5	42.5	14	24.5	30	27	0.358	0.096
19	G3/4"	52	32.7	76.4	47	18	28.5	38	36	0.620	0.193
25	G1"	62	40.9	92.4	56.5	20	35	45	45	1.024	0.359

## Technical Data

Series	DN	DN	Q max	Working Pressure				Bursting Pressure			
				ISO 4397		Connected		Female Body		Male Tip	
				Inch	mm	bar	PSI	bar	PSI	bar	PSI
HUS-10	3/8	10	30	350	5076	1050	15229	1450	21031	1500	21756
HUS-12	1/2	12.5	67.5	315	4569	1000	14504	1200	17405	1000	14504
HUS-19	3/4	19 (20)	159	270	3916	1080	15664	1000	14504	900	13053
HUS-25	1	25	378	270	3916	900	13053	900	13053	900	13053

The indicated pressure ratings only apply to the coupling itself and depend on the connection type.