

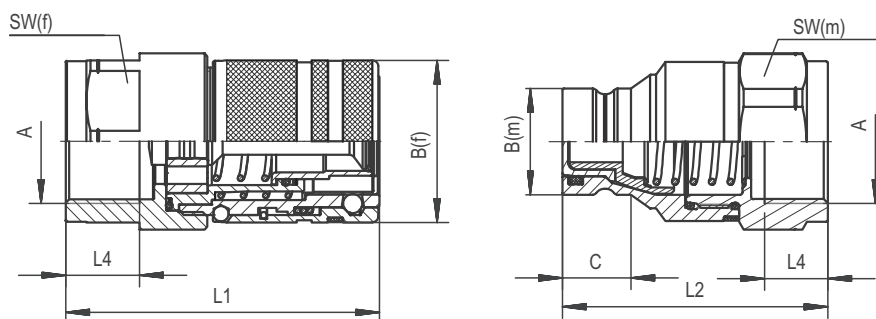


SERIES: FF

Carbon Steel
ISO Interchange according to ISO 16028

Product Features

- Flat Face
- Coupling made from carbon steel with Zinc/Nickel surface coating
- Maximum working pressure up to 400 bar (5802 PSI)
- Can be connected by hand while having a residual pressure up to 250 bar (3626 PSI) on the male side in combination with Male Tips of the QRC-FC Series
- Powerful flow characteristics with minimal pressure drop
- Heavy internal components
- Integrated locking system preventing unintentional release of the coupling
- Wide knurled bands on female body for easy gripping



SW: Width across flats. All dimensions in mm

Dimensions (mm)

Nominal Size	Port A	L1	L2	L4	SW (f)	SW (m)	B(f) Ø	B(m) Ø	C	Female Body Weight kg	Male Tip Weight kg
6.3	G1/4"	55	54	12	27	22	28	16.2	10.8	0.198	0.100
10	G3/8"	69	59.9	14	30	27	32	19.8	15.6	0.298	0.137
10	G1/2"	69	64.9	14	30	27	32	19.8	15.6	0.283	0.131
12	G1/2"	84	71	14	36	36	38	24.5	16.9	0.516	0.285
12	G3/4"	84	72	16.5	36	36	38	24.5	16.9	0.483	0.267
19	G1"	98.7	84	18	46	46	48	29.9	21.5	0.915	0.508
25	G1 1/4"	106.5	90	20	55	55	55	36.0	23.3	1.355	0.800
38	G1 1/2"	131.6	124.6	23	80	65	80	57	30.8	3.790	2.099
51	G2"	147.4	173	24	80	80	103	72.9		5.500	4.890

Technical Data

Series	DN Inch	DN ISO 4397		Working Pressure		Bursting Pressure					
		mm	l/min	bar	PSI	Connected		Female Body		Male Tip	
						bar	PSI	bar	PSI	bar	PSI
FF-06	1/4	6.3	24	400	5801	1400	20305	1220	17695	2000	29007
FF-10	3/8	10	46	350	5076	1100	15954	1100	15954	1500	21756
FF-12	1/2	12.5	90	350	5076	1400	20305	1050	15229	1500	21756
FF-16	5/8	16	148	350	5076	1600	23206	1200	17404	1200	17404
FF-19	3/4	19	212	350	5076	1200	17405	1100	17404	1300	18854
FF-25	1	25	378	260	3771	1200	17405	820	11893	1040	15083
FF-38	1 1/2"	38	684	300	4351	1100	15954	1150	16679	1500	21756
FF-51	2"	51	1000	150	2176	650	9427	650	9427	1400	20305

The indicated pressure ratings only apply to the coupling itself and depend on the connection type.

SERIES: FF

Carbon Steel
ISO Interchange according to ISO 16028



QUICK CONNECT COUPLINGS

Technical Features

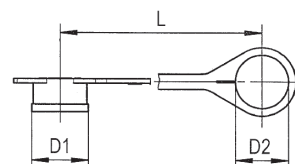
Material	Carbon Steel
Surface Finishing	Zinc-Nickel, Zinc-Plating and Thick-Film-Passivation (Chrome III) only FH/FU 51
Standard Seal	NBR (Buna-N®), PTFE, PU Other materials available on request
Working Temperature	-25°C to +100°C / -13°F to +212°F
Connection	Push
Disconnection	Actuate Push Sleeve
Connect	Under pressure not allowed, (Male tip Series FC up to the max. working pressure allowed)
Application	Construction machinery, industrial hydraulic

Article no.	Description	Price £	Price €
810001	Flat Face Female 06 Body 1/4" BSPF	£38.20	€36.40
810002	Flat Face Male 06 Body 1/4" BSPF	£18.70	€17.80
810003	Flat Face Female 10 Body 3/8" BSPF	£25.10	€23.90
810004	Flat Face Male 10 Body 3/8" BSPF	£14.20	€13.60
810005	Flat Face Female 10 Body 1/2" BSPF	£25.10	€23.90
810006	Flat Face Male 10 Body 1/2" BSPF	£14.70	€14.00
810007	Flat Face Female 12 Body 1/2" BSPF	£35.10	€33.40
810008	Flat Face Male 12 Body 1/2" BSPF	£24.70	€23.50
810009	Flat Face Female 12 Body 3/4" BSPF	£35.10	€33.40
810010	Flat Face Male 12 Body 3/4" BSPF	£24.70	€23.50
810011	Flat Face Female 19 Body 1" BSPF	£84.90	€80.90
810012	Flat Face Male 19 Body 1" BSPF	£42.50	€40.40
810013	Flat Face Female 25 Body 1 1/4" BSPF	£140.20	€133.50
810014	Flat Face Male 25 Body 1 1/4" BSPF	£84.09	€80.90
810015	Flat Face Female 38 Body 1 1/2" BSPF	£515.60	€491.10
810016	Flat Face Male 38 Body 1 1/2" BSPF	£330.30	€314.60
810017	Flat Face Female 51 Body 2" BSPF	£1,052.00	€1,001.90
810018	Flat Face Male 51 Body 2" BSPF	£872.40	€830.90

SERIES: FF - DUST PROTECTION

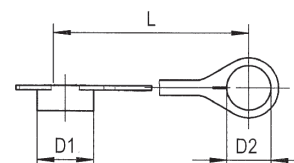
Dust Cap for Male Tip

Size	D1	D2	L	Material	Article no.	Price £	Price €
6	28	24	170	Plastic Red - Standard	FF06MR		
10	32	27	115		FF10MR	£3.00	€3.70
12	38	35.5	135		FF12MR	£2.30	€2.80
19	48	45.5	150		FF19MR	£3.90	€4.70
25	46	51	290		FF25MR	£10.20	€12.30



Dust Plug for Female Body

Size	D1	D2	L	Material	Article no.	Price £	Price €
6	34	24	170	Plastic Red - Standard	FF06FR	£3.30	€4.00
10	38	30	130		FF10FR		
12	45	35.5	140		FF12FR	£3.30	€4.00
19	52	45.5	170		FF19FR	£3.90	€4.70
25	62	51	290		FF25FR		



In addition to the standard colours as stated above, plastic dust caps are also available in blue, green, yellow and black.