

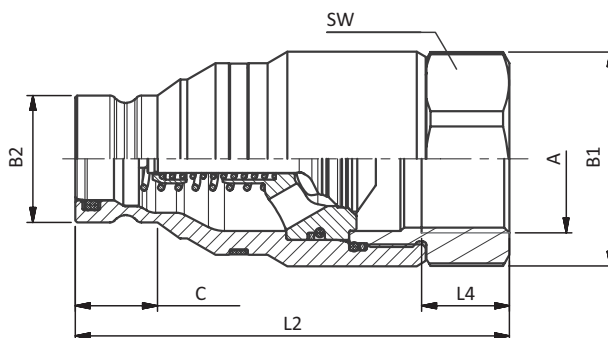


SERIES: FC

Carbon Steel
ISO Interchange according to ISO 16028
Connect with residual pressure

Product Features

- Flat Face
- Coupling made from carbon steel with Zinc/Nickel surface coating
- Connection Under pressure allowed with Female Bodies of the QRC-FF Series with Male Tips of the QRC-FC Series
- Maximum working pressure of 350 bar (5076 PSI) in combination with Female Bodies of the FF Series (sizes 10, 12, 16, 19)
- Can be connected by hand while having a residual pressure up to 250 bar (3626 PSI) on the male side in combination with Female Bodies of the QRC-FF Series
- Powerful flow characteristics with minimal pressure drop
- Heavy internal components



SW: Width across flats. All dimensions in mm

Dimensions (mm)

Nominal Size	Port A	L2	L4	SW	B1 ∅	B2 ∅	C	Female Body	Weight kg
10	G3/8"	82	13	30	33	19.7	15.5	Connection with Female Bodies of the QRC-FF Series with Male Tips of the QRC-FC Series.	0.312
10	G1/2"	82	15	30	32	19.8	15.6		0.297
12	G3/4"	96	16.5	36	40.1	24.5	17		0.459
19	G1"	114	17.5	46	52	29.9	21.3		0.955

Technical Data

Series	DN	DN ISO 4397	Q Max l/min	Working Pressure				Bursting Pressure				Maximum pressure for connecting	
				Connected		Male Tip		Connected		Male Tip			
				bar	PSI	bar	PSI	bar	PSI	bar	PSI	bar	PSI
FF-10	3/8	10	46	350	5076	350	5076	1300	18854	1800	26107	250	3626
FF-12	1/2	12.5	90	350	5076	350	5076	1400	20305	1500	21756	250	3626
FF-19	3/4	19	212	350	5076	350	5076	1400	20305	1400	20305	250	3626

The indicated pressure ratings only apply to the coupling itself and depend on the connection type.

SERIES: FC

Carbon Steel

ISO Interchange according to ISO 16028

Connect with residual pressure



QUICK CONNECT COUPLINGS

Technical Features

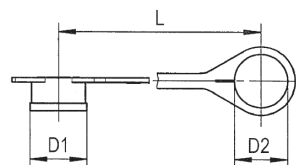
Material	Carbon Steel
Surface	Finishing Zink/Nickel
Standard Seal Material(s)	NBR (Buna-N®), PTFE, PU, POM
Working Temperature	-25° C ... +100° C / -13° F ... +212° F
Connection	Push
Disconnection	Actuate push sleeve of female
Connect Under Pressure	up to 250 bar (3626 PSI) allowed (Only Residual Pressure)
Disconnect Under Pressure	Not allowed
Application	Agricultural and Forestry Machinery, Construction Machinery, Industrial Hydraulic

Article no.	Description	Price £	Price €
820001	Flat Face Female 10 Body 3/8" BSPF	£45.10	€47.30
820002	Flat Face Female 10 Body 1/2" BSPF	£47.80	€50.20
820003	Flat Face Female 12 Body 3/4" BSPF	£60.60	€63.70
820004	Flat Face Female 19 Body 1" BSPF	£118.60	€124.50

SERIES: FC – DUST PROTECTION

Dust Cap for Male Tip

Size	D1	D2	L	Material	Article no.	Price £	Price €
10	32	27	115	Plastic Red - Standard	FF10MR	£3.00	€3.70
12	38	35,5	135		FF12MR	£2.30	€2.80
19	48	45,5	150		FF19MR	£3.90	€4.70



In addition to the standard colours as stated above, plastic dust caps are also available in blue, green, yellow and black.