

Materials

Cartridge:

Weight: 0.25 kg. (0.55 lbs.)
 Steel with hardened work surfaces. Zinc-plated exposed surfaces.
 Buna N O-rings and back-ups standard.

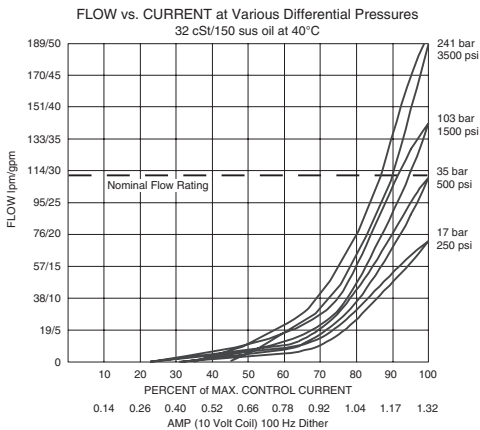
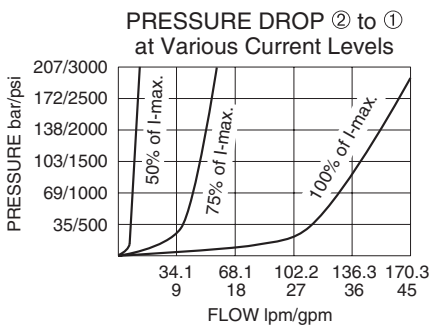
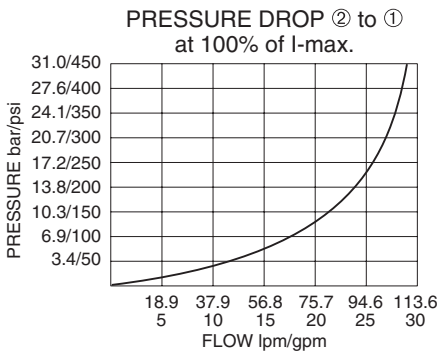
Standard Ported Body:

Weight: 0.57 kg. (1.25 lbs.)
 Anodized high-strength 6061 T6 aluminum alloy, rated to 207 bar (3000 psi).
 Ductile iron bodies available. dimensions may differ.

Standard Coil:

Weight: 0.27 kg. (0.60 lbs.)
 Unitized thermoplastic encapsulated.

Performance



SP12-20

2 Way, Normally Closed, 207 BAR Rated

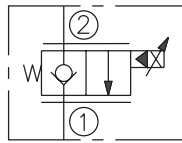
A proportional solenoid-operated, two-way, poppet-type, normally closed, screw-in hydraulic cartridge valve for low-leakage blocking and load-holding applications.

Voltage	Hydraforce code	Article no.	Price £	Price €
CARTRIDGE VERSION				
24V DC	SP12-20-0-N-24DG	SP1220C24	£239.30	€287.20
INLINE WITH BODY 3/4" BSP				
24V DC	SP12-20-6B-N-24DG	SP12206B24	£375.40	€450.50
INLINE WITH BODY 1" BSP				
24V DC	SP12-20-8B-N-24DG	SP12208B24	£340.80	€409.00
with nitril seals				
WITH 'G' DIN CONNECTOR PLUG				

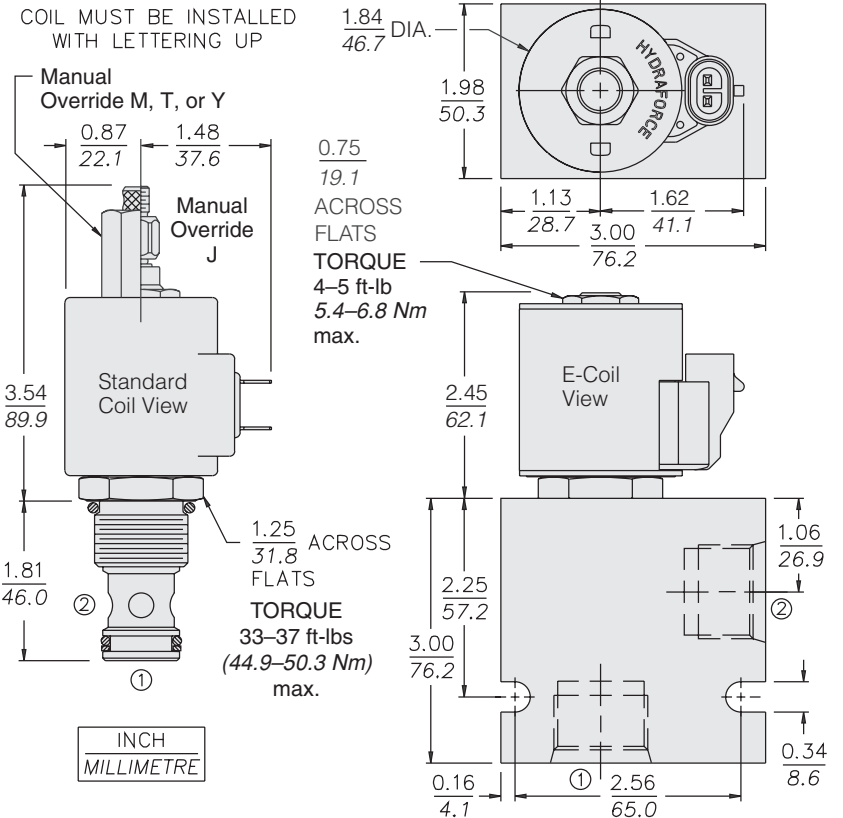
On request - Viton Seals - Screen filter protection - Manual Override
 On request - For DC coils with spade or push on connections

Symbols

USASI/ISO:



Dimensions



Please contact our technical sales team for electronic controller options