

SP08-47C

4 Way, 3 Position, Closed Center, 207 BAR Rated

A proportional solenoid-operated, four-way, three-position, spool-type, closed center, screw-in hydraulic cartridge valve.

Materials

Cartridge:

Weight: 0.13 kg. (0.28 lbs.)
Steel with hardened work surfaces.
Zinc-plated exposed surfaces.
Buna N O-rings and back-ups std.

Standard Ported Body:

Weight: 0.18 kg. (0.40 lbs.)
Anodized highstrength 6061 T6 aluminum alloy, rated to 207 bar (3000 psi).
Ductile iron bodies available; dimensions may differ.

Standard Coil: 2 Required.

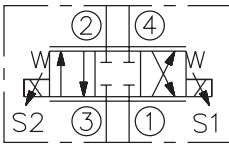
Weight each: 0.11 kg. (0.25 lbs.)
Unitized thermoplastic encapsulated.

Voltage	Hydraforce code	Article no.	Price £	Price €
CARTRIDGE VERSION				
24V DC	SP08-47C-0-N-24DG	SP0847CC24	£246.30	€295.60
INLINE WITH BODY 1/4" BSP				
24V DC	SP08-47C-2B-N-24DG	SP0847C2B24	£328.10	€393.80
INLINE WITH BODY 3/8" BSP				
24V DC	SP08-47C-3B-N-24DG	SP0847C3B24	£351.80	€422.10
with nitril seals				
WITH 'G' DIN CONNECTOR PLUG				

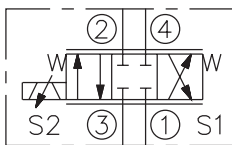
On request - Viton Seals - Screen filter protection - Manual Override
On request - For DC coils with spade or push on connections

Symbols

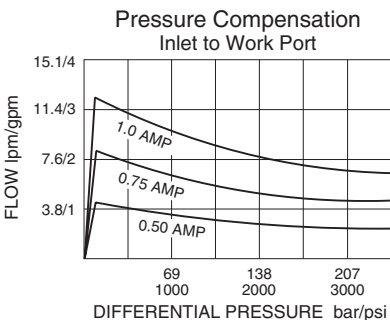
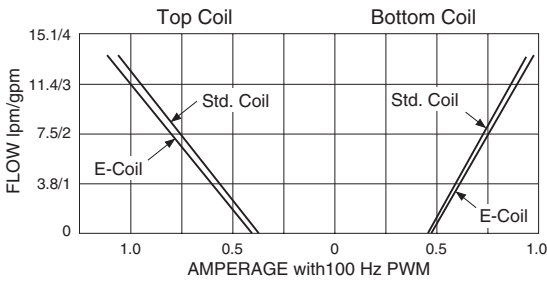
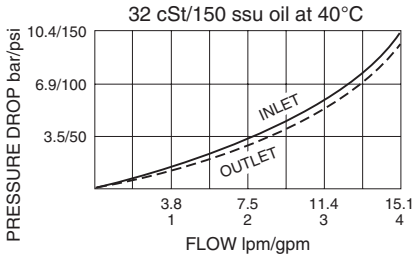
USASI:



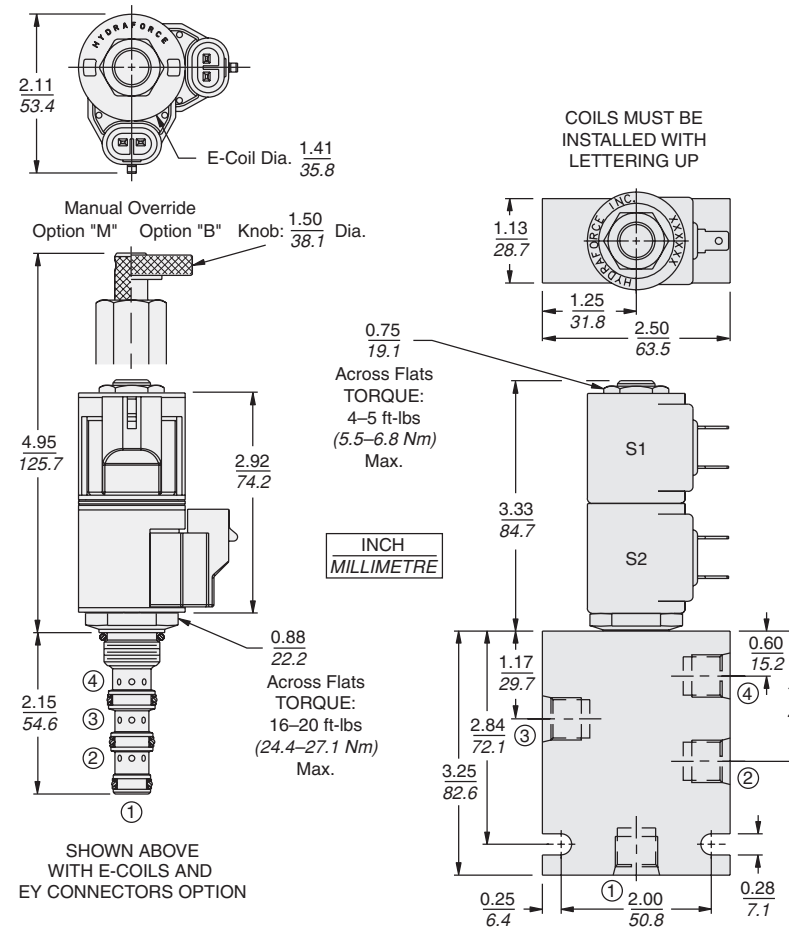
ISO:



Performance



Dimensions



Please contact our technical sales team for electronic controller options