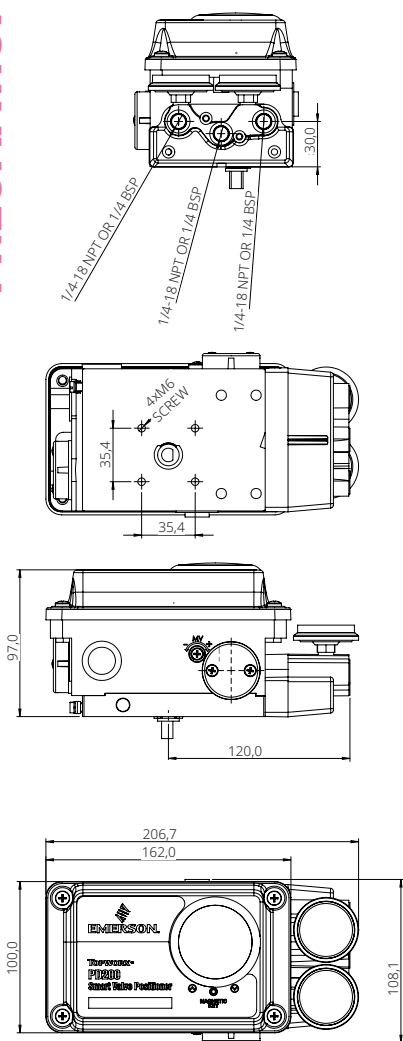




# TopWorx™ PD SERIES SMART VALVE POSITIONER

The PD Series Smart Valve Positioner has a compact and robust design for both linear and rotary actuators and can be used in applications with either single or double acting actuators. The PD series provides precise valve feedback and data as well as complete control of the valve, while maintaining plant efficiency and safety in any process application.

## Dimensions (mm)



## Features & Benefits

- Hall-effect, contactless position sensing
- Feedback through 4-20mA and discrete signals
- HART® Capable with configurable alarms
- Autocalibration features
- Mechanical & magnetic buttons for easy operation
- Local user interface with Liquid Crystal Display
- Easy to install – can be mounted at any angle
- Mounting options for both rotary and linear applications

## PD100

Article no.	Price £	Price €
420100	£1,942.90	€2,236.70

PD200 - On request

## Operating Specifications

	PD100	PD200
Certifications		General Purpose Hazardous areas - On request
Communications Protocol	4-20 mA (nominal)	HART Capable
Configurable Alarms	No	Yes
Minimum Voltage	8.5 VDC for analog control	8.5 VDC for analog control 9.0 VDC for HART communication
Overvoltage		36 VDC
Voltage Drop		12.2 VDC @ 4mA/24 VDC
Input Impedance		470 ohms @ 20mA/24 VDC
Output Impedance (Feedback)		800 ohms @ 20mA/24 VDC
Actuator Signal		0% to 100% of the supply pressure
Start-up Time		8 seconds
Response Time		≥ 0.3% of Full Scale
Stroke Range		Linear: 12 to 200 mm Rotary: 0° to 120°
Hysteresis		1.5% of Full Scale
Repeatability		1.5% of Full Scale
Linearity		0.8% of Full Scale
Temperature Range		-40°C to +75°C (-40°F to +167°F)
Electrical Connection		1/2" NPT female
Pneumatic Connection		1/4" NPT female (Inlet & Outlet)
Air-Supply Pressure		2.8 to 8 bar (40 to 116 psi)
Output Air Consumption		8.8 l/m   0.5N m³/h   0.31 scfm @ 60 psi   4 bar

## Specifications

Physical Specifications	PD100	PD200
Display Type	Liquid Crystal Display (LCD) 4 numeric digits	Liquid Crystal Display (LCD) 4 .5 numeric & 6 alphanumeric digits
Local Controls	3 mechanical buttons Up, Down, & Enter	3 mechanical & 3 magnetic buttons Up, Down, & Enter (Includes magnetic key for operation without removing cover)
Valve Action	Single, Double, Direct (DA), & Reverse (RA)	Single, Double, Direct (DA), & Reverse (RA)
Enclosure & Cover	Thermoplastic Composite	Thermoplastic Composite
Actuator Mounting Base	Aluminum	Aluminum
Manifold	ZAMAC	ZAMAC
Seals	Fluoroelastomer	Fluoroelastomer
Net Weight – With Manifold	2.2 kg (4.8 lbs.)	2.3 kg (5.1 lbs.)