



SERIES 3600 PVC-U LUGGED BUTTERFLY VALVE

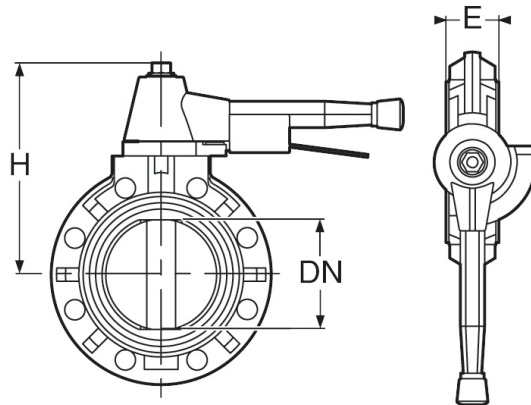
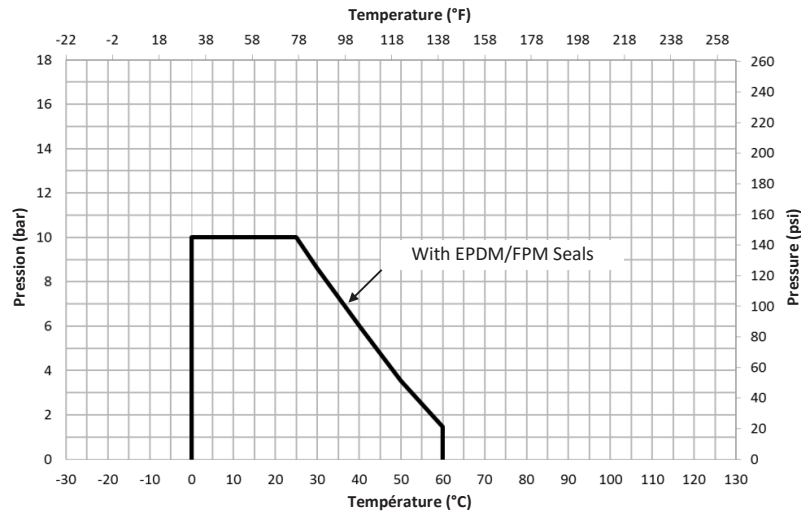
DIN or ANSI Flange

EPDM or FPM Seal

Please contact our sales team for further details and prices.

- The SAFI 3600 butterfly valve benefits from a robust construction, with one-piece body and a symmetrical and solid-centred butterfly, ensuring a strong sealing on the elastomer seal in both flow directions.
- 316 stainless steel lugs ensure strong and resilient bolting into the pipeline
- The valve is equipped by default with an operating lever, but can also be equipped with a handwheel gearbox.
- The non-reversible handwheel gearbox enables stopping and position holding while facilitating operation.
- The operating lever is equipped with a 13 indexed position adjusting system (19 for DN150 and 15 for DN200)
- Installation on the piping of this valve must be done in the open position.

Pressure / Temperature Curves



Dimensions

DN mm	DN inch	d mm	H mm	E mm	PN BAR	Weight (Kg) with handle	Weight (Kg) without handle
50	2"	63	168	43	10	1.3	0.9
65	2 1/2"	75	178	45	10	1.5	1.2
80	3"	90	183	45	10	1.7	1.3
100	4"	110	196	55	10	2.5	2.1
125	5"	140	256	65	10	4.1	3.4
150	6"	160	276	70	10	6	5.2
200	8"	225	297	87	10	10.7	10