



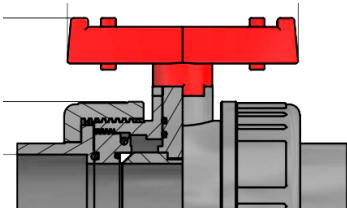
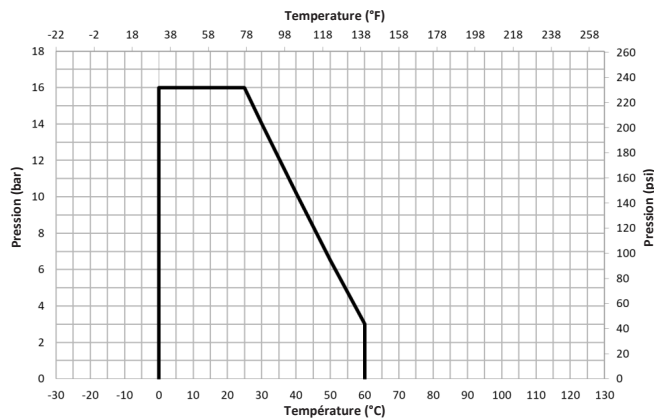
- PTFE Seats.
- Seals under the seats and 2 seals on spindle for an optimal sealing.
- Not suitable for Actuation or locking system
- Numerous Certificates for Water Treatment (ACS, WRAS, NSF, MARINE).
- Seal type - EPDM (Standard), FPM (OR)
- Working Temperature - 0°C to +60°C
- Working Pressure - 16 bar at 20°C

2-WAY DOUBLE UNION FULL BORE BALL VALVE

PVC-U, DN15 to DN100

| Article no. | Seal type | Size | DN | Price £ | Price € |
|-------------|-----------|--------|-----|---------|---------|
| 4101015 | EPDM | 1/2" | 15 | £35.40 | €42.50 |
| 4101020 | EPDM | 3/4" | 20 | £39.70 | €47.70 |
| 4101025 | EPDM | 1" | 25 | £45.80 | €55.00 |
| 4101032 | EPDM | 1 1/4" | 32 | £64.10 | €77.00 |
| 4101040 | EPDM | 1 1/2" | 40 | £83.20 | €99.90 |
| 4101050 | EPDM | 2" | 50 | £107.00 | €128.40 |
| 4101065 | EPDM | 2 1/2" | 65 | £230.70 | €276.80 |
| 4101080 | EPDM | 3" | 80 | £354.40 | €425.30 |
| 4101100 | EPDM | 4" | 100 | £469.90 | €563.90 |

Pressure / Temperature Curves



DN65 to DN100
Hand wheel Operated

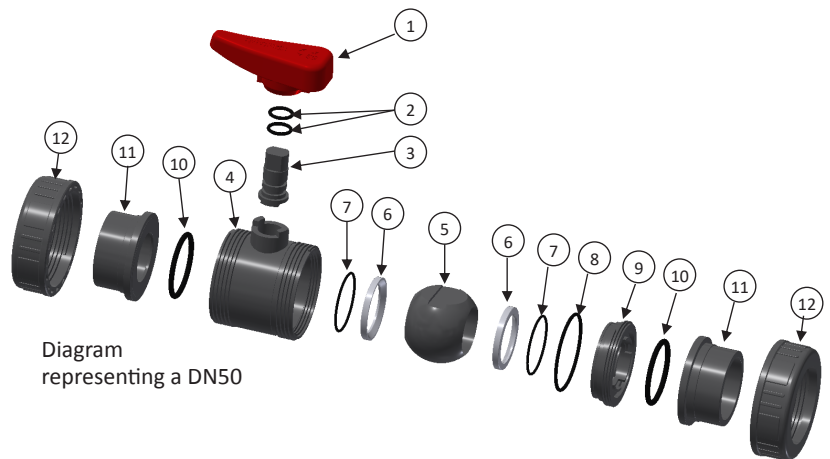
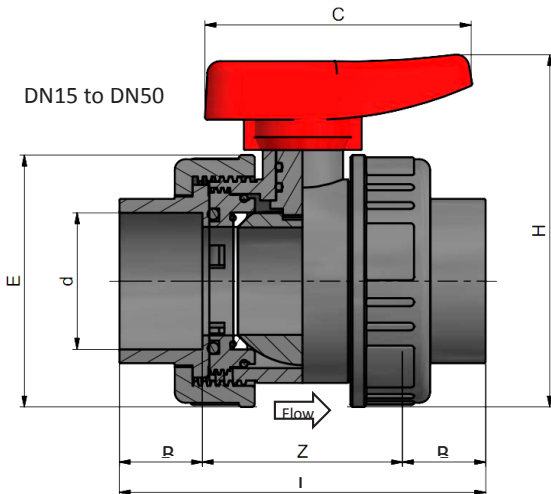


Diagram representing a DN50

Dimensions (mm)

| DN | d | L | B | Z | E | H | C | Weight (Kg) |
|-----|-----|-----|----|-----|-----|-----|-----|-------------|
| 15 | 16 | 78 | 16 | 46 | 49 | 74 | 64 | 0,14 |
| 15 | 20 | 78 | 16 | 46 | 49 | 74 | 64 | 0,14 |
| 20 | 25 | 92 | 19 | 54 | 60 | 88 | 74 | 0,2 |
| 25 | 32 | 105 | 22 | 61 | 69 | 103 | 86 | 0,3 |
| 32 | 40 | 121 | 26 | 69 | 80 | 116 | 98 | 0,45 |
| 40 | 50 | 141 | 31 | 79 | 96 | 139 | 111 | 0,69 |
| 50 | 63 | 169 | 38 | 93 | 116 | 162 | 125 | 1,15 |
| 65 | 75 | 228 | 44 | 140 | 167 | 228 | 169 | 3,1 |
| 80 | 90 | 241 | 51 | 139 | 167 | 228 | 169 | 3,25 |
| 100 | 110 | 284 | 61 | 162 | 209 | 274 | 204 | 5,5 |

Materials

| N° | QTY | DESCRIPTION | MATERIAL |
|----|-----|-------------------------------|----------|
| 1 | 1 | HANDLE | ABS |
| 2 | 2 | O-RING | EPDM/FPM |
| 3 | 1 | STEM | PVC-U |
| 4 | 1 | BODY | PVC-U |
| 5 | 1 | BALL | PVC-U |
| 6 | 2 | SEAT | PTFE |
| 7 | 2 | O-RING | EPDM/FPM |
| 8 | 1 | O-RING | EPDM/FPM |
| 9 | 1 | ADJUSTING END | PVC-U |
| 10 | 2 | O-RING | EPDM/FPM |
| 11 | 2 | PVC-U DIN Metric plain socket | PVC-U |
| 12 | 2 | NUT | PVC-U |