

# RV58-20

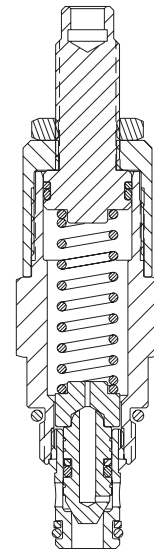
Relief, Direct-Acting Poppet, High Pressure  
345 bar (5000 psi) Rated

A screw-in, cartridge-style, direct-acting, poppet-type, hydraulic relief valve intended for lower flow circuits requiring low internal leakage at higher pressures.

Porting	Hydraforce code	Article no.	Spring Options	Price £	Price €
INLINE 3/8" BSP	RV58-20A-3BD-P-46	RV5820A3BD46	27.6 to 317.2 BAR	<b>£202.10</b>	<b>€242.60</b>

with Polyurethane seals

- Standard** - with 1/4" HEX ALLEN HEAD 'A'
- On request** - 1 1/2" dia alum knob 'B'  
Option 'A' with cover cap 'C'  
Factory Set - Non Adjustable 'F'  
Factory Set - Hidden Adjustment 'H'  
Lockwire Holes 'L'



## Materials

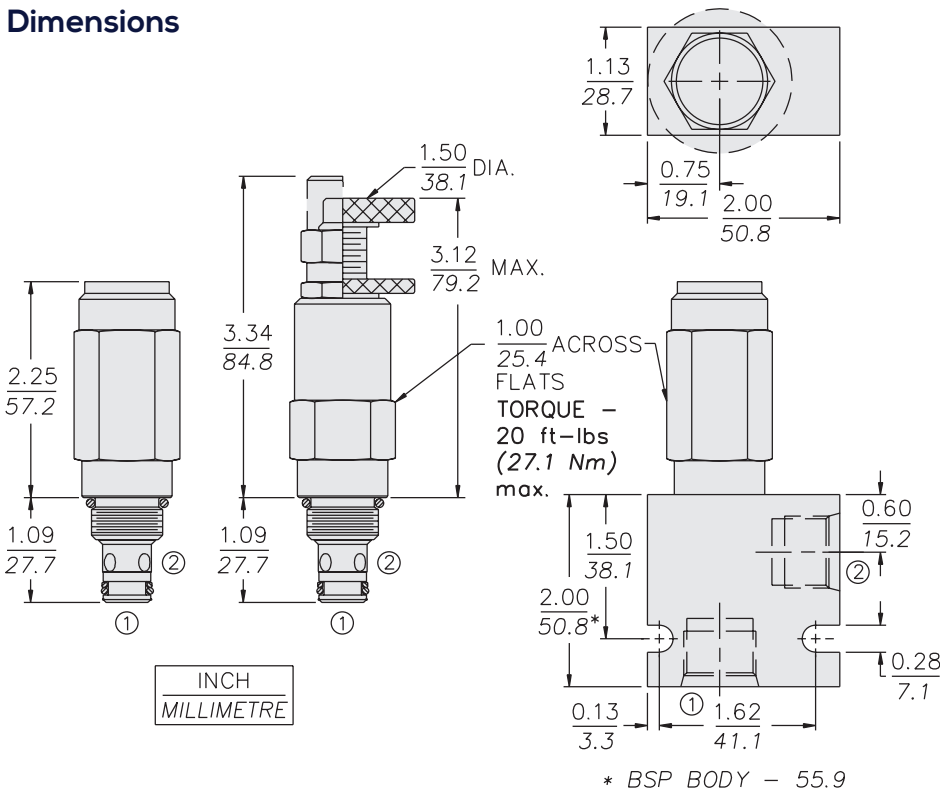
### Cartridge:

Weight: 0.23 kg. (0.50 lbs.)  
Steel with hardened work surfaces.  
Zinc-plated exposed surfaces.  
Polyurethane O-rings and back-up  
standard. Anodized aluminum  
knobs and caps.

### Ported Body:

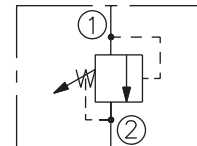
Weight: 0.54 kg. (1.20 lbs.)  
Ductile Iron (code "D") standard,

## Dimensions



## Symbols

### USASI/ISO:



## Performance

