

RV52-26 HIGH PRESSURE

Relief, Pilot-Operated Spool
345 bar (5000 psi) Rated

A screw-in, cartridge-style, pilot-operated (two-stage), spool-type hydraulic relief valve, intended for use as a pressure limiting device in demanding hydraulic circuits which require fast response and low hysteresis.

Porting	Hydraforce code	Article no.	Spring Options	Price £	Price €
INLINE SAE 12	RV52-26A-16TD-P-50	RV5226A12TD50	83 to 345 BAR	£384.60	€461.50
with Polyurethane seals					

Materials

Cartridge:

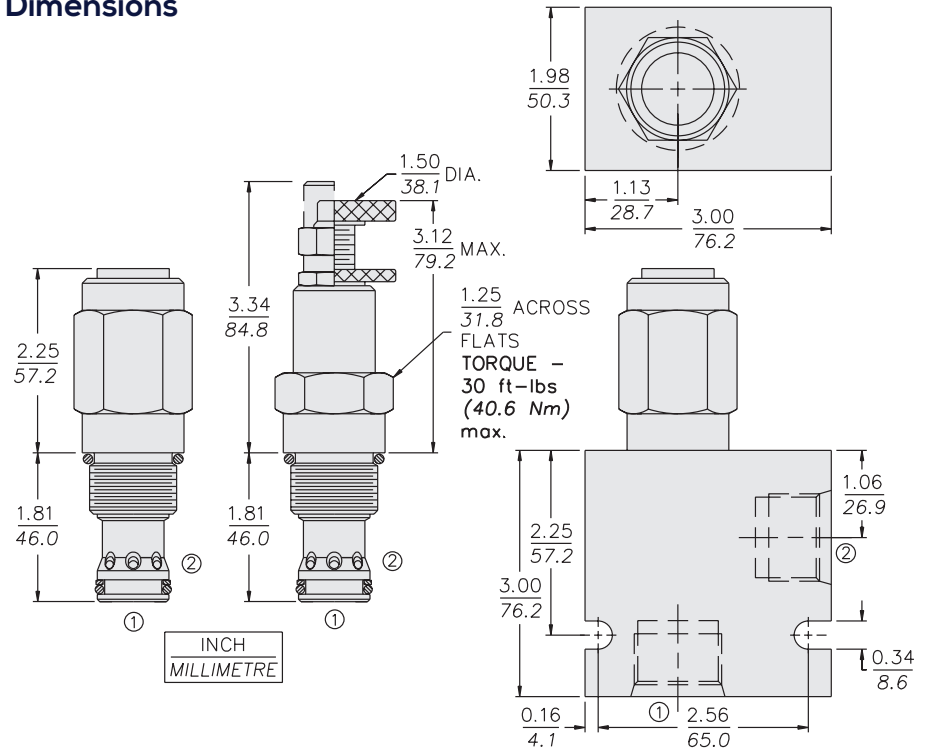
Weight: 0.34 kg. (0.75 lbs.)
Steel with hardened work surfaces.
Zinc-plated exposed surfaces.
Polyurethane O-rings and
back-up standard. Anodized
aluminum knobs.

Ported Body:

Weight: 1.81 kg. (4.0 lbs.)
Ductile Iron (code "D")

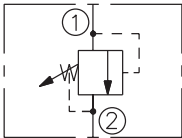
- Standard** - with 1/4" HEX ALLEN HEAD 'A'
- On request** - 11/2" dia alum knob 'B'
Option 'A' with cover cap 'C'
Factory Set - Non Adjustable 'F'
Factory Set - Hidden Adjustment 'H'
Lockwire Holes 'L'

Dimensions



Symbols

USASI/ISO:



Performance

Flow Characteristic ① to ②
32 cSt/150 ssu oil at 40°C

