

# RV50-26 HIGH PRESSURE

**Relief, Pilot-Operated Spool  
345 bar (5000 psi) Rated**

A screw-in, cartridge-style, pilot-operated (two-stage), spool-type hydraulic relief valve, intended for use as a pressure limiting device in demanding hydraulic circuits which require fast response and low hysteresis.

Porting	Hydraforce code	Article no.	Spring Options	Price £	Price €
INLINE 1/2" BSP	RV50-26A-4BD-P-50	RV5026A4BD50	83 to 345 BAR	<b>£216.10</b>	<b>€259.30</b>

**with Polyurethane seals**

- Standard** - with 1/4" HEX ALLEN HEAD 'A'
- On request** - 1 1/2" dia alum knob 'B'  
 Option 'A' with cover cap 'C'  
 Factory Set - Non Adjustable 'F'  
 Factory Set - Hidden Adjustment 'H'  
 Lockwire Holes 'L'

## Materials

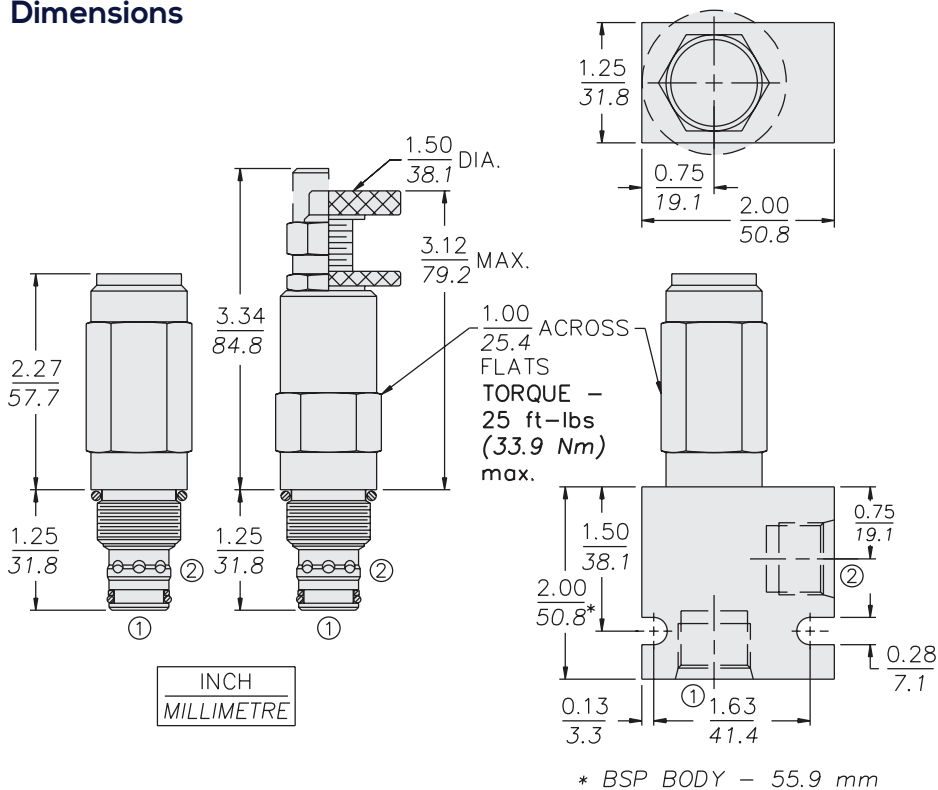
### Cartridge:

Weight: 0.25 kg. (0.55 lbs.)  
 Steel with hardened work surfaces.  
 Zinc-plated exposed surfaces.  
 Poly-urethane seals with  
 Fluorocarbon back-ups for  
 pressures over 240 bar (3500 psi).  
 Anodized aluminum knobs.

### Ported Body:

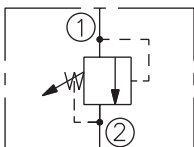
Weight: 0.54 kg. (1.2 lbs.)  
 Ductile Iron (code "D") standard,

## Dimensions



## Symbols

### USASI/ISO:



## Performance

