

RV12-26

Relief, Pilot-Operated Spool, 207 BAR Rated

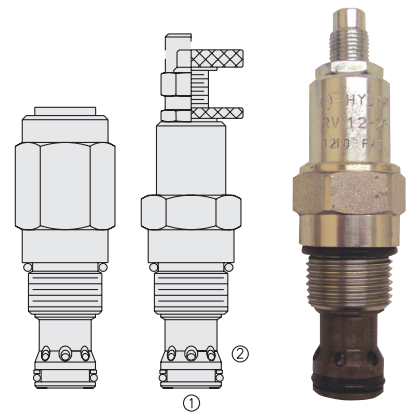
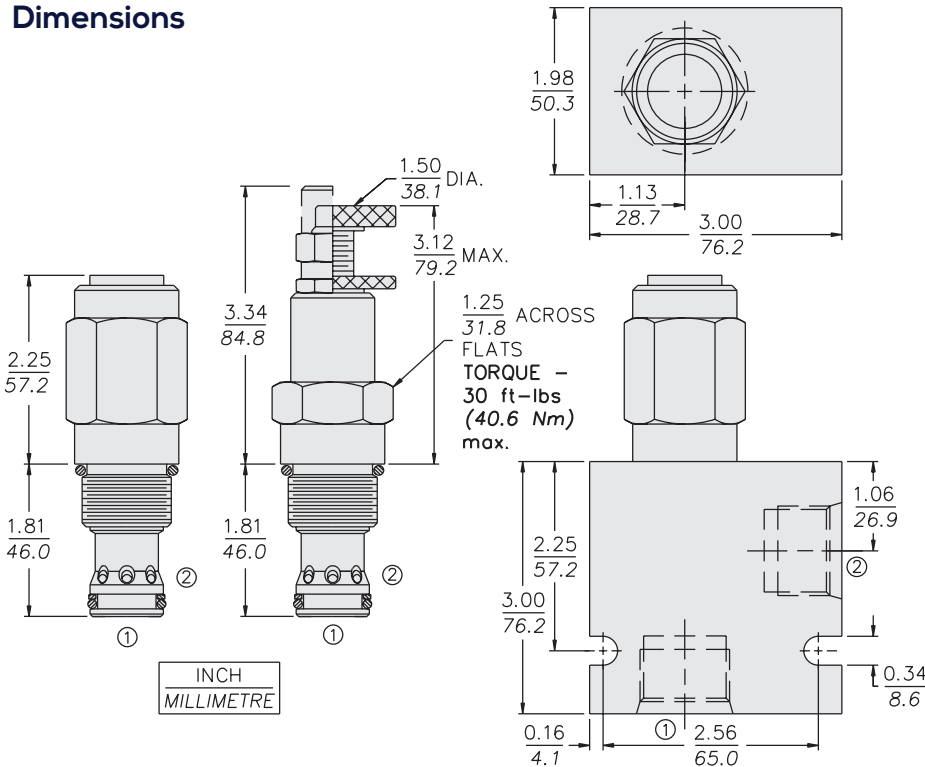
A screw-in, cartridge-style, pilot-operated (two-stage), spool-type hydraulic relief valve, intended for use as a pressure limiting device in demanding hydraulic circuits which require fast response and low hysteresis.

Porting	Hydraforce code	Article no.	Spring Options	Price £	Price €
Cartridge Version	RV12-26A-0-N*	RV1226AC*		£129.50	€155.40
INLINE 1/2" BSP	RV12-26A-4B-N*	RV1226A4B*	* suffix with 4 = 6.9 TO 27.6 BAR	£265.60	€318.70
INLINE 3/4" BSP	RV12-26A-6B-N*	RV1226A6B*	15 = 10.3 TO 103 BAR 35 = 20.7 TO 241 BAR	£265.60	€318.70
INLINE 1" BSP	RV12-26A-8B-N*	RV1226A8B*		£265.60	€318.70

with nitril seals / Viton on request

- Standard** - with 1/4" HEX ALLEN HEAD 'A'
- On request** - 1 1/2" dia alum knob 'B'
 Option 'A' with cover cap 'C'
 Factory Set - Non Adjustable 'F'
 Factory Set - Hidden Adjustment 'H'
 Lockwire Holes 'L'

Dimensions



Materials

Cartridge:

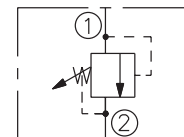
Weight: 0.34 kg. (0.75 lbs.)
 Steel with hardened work surfaces.
 Zinc-plated exposed surfaces.
 Buna N O-rings and polyester elastomer back-up standard.
 Anodized aluminum knobs.

Standard Ported Body:

Weight: 0.57 kg. (1.25 lbs.)
 Anodized highstrength 6061 T6 aluminum alloy, rated to 207 bar (3000 psi).
 Ductile iron bodies available; dimensions may differ.

Symbols

USASI/ISO:



Performance

