

RV10-22

Relief, Differential Area Poppet, 207 BAR Rated

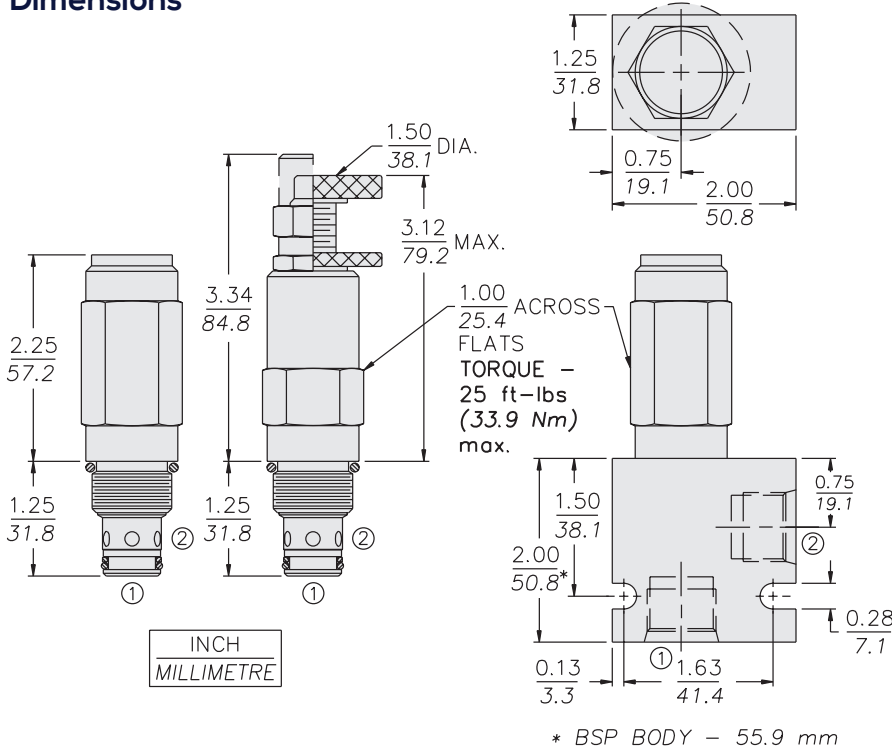
A screw-in, cartridge-style, direct-acting, differential area poppet-type hydraulic relief valve for use as a pressure limiting device in more demanding hydraulic circuits, requiring low hysteresis and low internal leakage.

Porting	Hydraforce code	Article no.	Spring Options	Price £	Price €
Cartridge Version	RV10-22A-0-N*	RV1022AC*		£79.20	€95.00
INLINE 1/4" BSP	RV10-22A-2B-N*	RV1022A2B*	* suffix with 6 = 10.3 TO 41.3 BAR 13 = 10.3 TO 89 BAR	£155.30	€186.40
INLINE 3/8" BSP	RV10-22A-3B-N*	RV1022A3B*	25 = 25.8 TO 165 BAR 35 = 17.2 TO 241 BAR	£151.80	€182.20
INLINE 1/2" BSP	RV10-22A-4B-N*	RV1022A4B*		£140.40	€168.50

with nitril seals / Viton on request

- Standard** - with 1/4" HEX ALLEN HEAD 'A'
- On request** - 1 1/2" dia alum knob 'B'
Option 'A' with cover cap 'C'
Factory Set - Non Adjustable 'F'
Factory Set - Hidden Adjustment 'H'
Lockwire Holes 'L'

Dimensions



Materials

Cartridge:

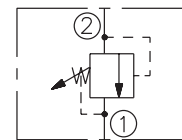
Weight: 0.23 kg. (0.50 lbs.)
Steel with hardened work surfaces.
Zinc-plated exposed surfaces.
Buna N O-rings and polyester elastomer back-ups standard.
Optional polyurethane seals with Fluorocarbon back-ups recommended for pressures over 207 bar (3000 psi).
Anodized aluminum knob.

Standard Ported Body:

Weight: 0.16 kg. (0.35 lbs.)
Anodized highstrength 6061 T6 aluminum alloy, rated to 207 bar (3000 psi).
Ductile iron bodies available; dimensions may differ.

Symbols

USASI/ISO:



Performance

