



RV10-20

Relief, Direct-Acting Poppet, 207 BAR Rated

A screw-in, cartridge-style, direct-acting, poppet-type, hydraulic relief valve intended for use as a pressure limiting device for common hydraulic circuit protection.

Materials

Cartridge:

Weight: 0.23 kg. (0.50 lbs.)
Steel with hardened work surfaces.
Zinc-plated exposed surfaces.
Buna N O-rings and polyester elastomer back-up standard;
Anodized aluminum knobs.

Standard Ported Body:

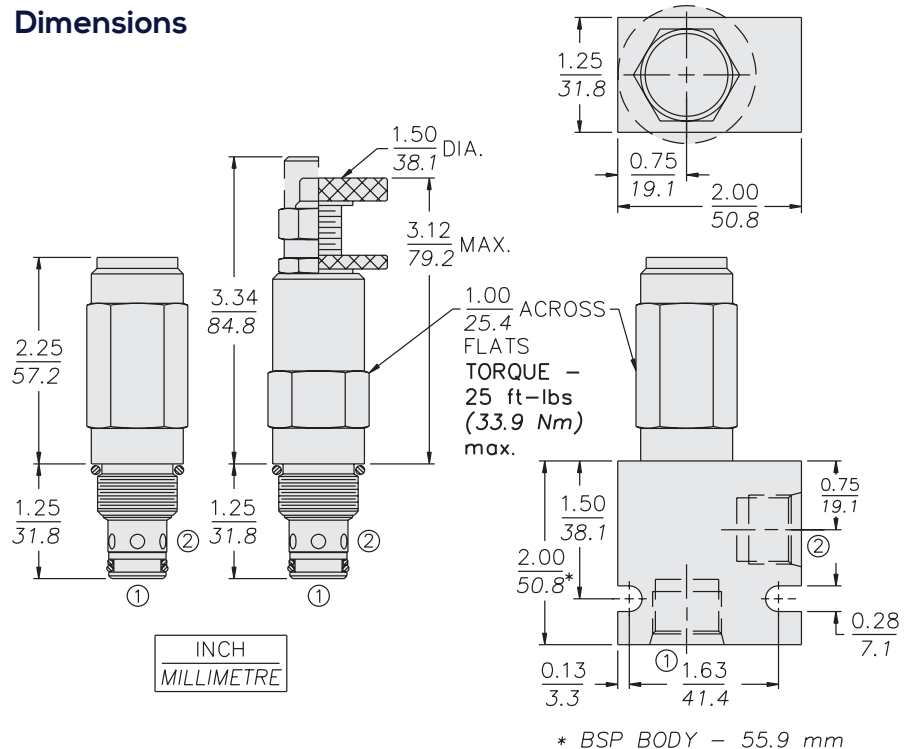
Weight: 0.16 kg. (0.35 lbs.)
Anodized highstrength 6061 T6 aluminum alloy, rated to 207 bar (3000 psi).
Ductile iron bodies available; dimensions may differ.

Porting	Hydraforce code	Article no.	Spring Options	Price £	Price €
Cartridge Version	RV10-20A-0-N*	RV1020AC*		£74.40	€89.30
INLINE 1/4" BSP	RV10-20A-2B-N*	RV1020A2B*	* suffix with 6 = 3.45 TO 41.3 BAR 12 = 10.3 TO 82.7 BAR	£150.50	€180.60
INLINE 3/8" BSP	RV10-20A-3B-N*	RV1020A3B*	23 = 17.2 TO 158.6 BAR 33 = 17.2 TO 227 BAR	£147.00	€176.40
INLINE 1/2" BSP	RV10-20A-4B-N*	RV1020A4B*		£135.60	€162.80

with nitril seals / Viton on request

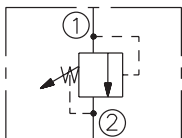
- Standard** - with 1/4" HEX ALLEN HEAD 'A'
- On request** - 1 1/2" dia alum knob 'B'
Option 'A' with cover cap 'C'
Factory Set - Non Adjustable 'F'
Factory Set - Hidden Adjustment 'H'
Lockwire Holes 'L'

Dimensions



Symbols

USASI/ISO:



Performance

