



RV08-22

Relief, Differential Area Poppet, 207 BAR Rated

A screw-in, cartridge-style, direct-acting, differential area, poppet-type hydraulic relief valve for use as a pressure limiting device in more demanding hydraulic circuits, requiring low hysteresis and low internal leakage.

Porting	Hydraforce code	Article no.	Spring Options	Price £	Price €
Cartridge Version	RV08-22A-0-N*	RV0822AC*	* suffix with	£70.00	€84.00
INLINE 1/4"BSP	RV08-22A-2B-N*	RV0822A2B*	4 = 3.45 TO 27.5 BAR 7 = 6.9 TO 62 BAR	£129.10	€154.90
INLINE 3/8"BSP	RV08-22A-3B-N*	RV0822A3B*	13 = 17.2 TO 117 BAR 26 = 17.2 TO 220 BAR	£131.30	€157.50

with nitril seals / Viton on request

Materials

Cartridge:

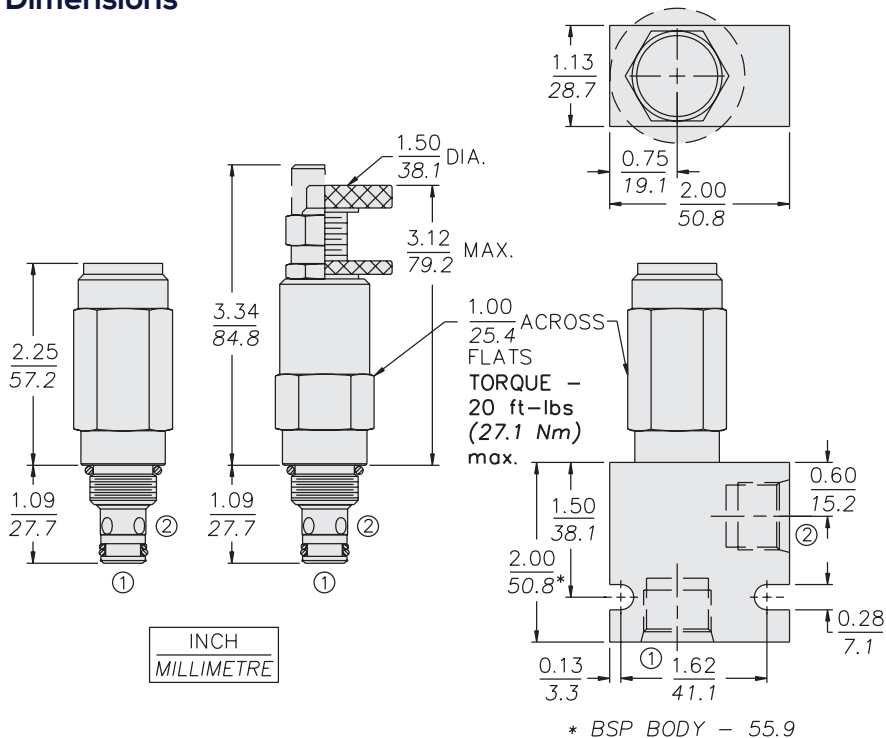
Weight: 0.22 kg. (0.48 lbs.)
Steel with hardened work surfaces.
Zinc-plated exposed surfaces.
Buna N O-rings and back-up standard.
Anodized aluminum knob.

Standard Ported Body:

Weight: 0.16 kg. (0.35 lbs.)
Anodized highstrength 6061 T6 aluminum alloy, rated to 207 bar (3000 psi).
Ductile iron bodies available; dimensions may differ.

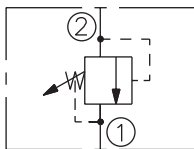
- Standard** - with 1/4" HEX ALLEN HEAD 'A'
- On request** - 1 1/2" dia alum knob
Option 'A' with cover cap 'C'
Factory Set - Non Adjustable 'F'
Factory Set - Hidden Adjustment 'H'
Lockwire Holes 'L'

Dimensions



Symbols

USASI/ISO:



Performance

