

RV08-20

Relief, Direct-Acting Poppet, 207 BAR Rated

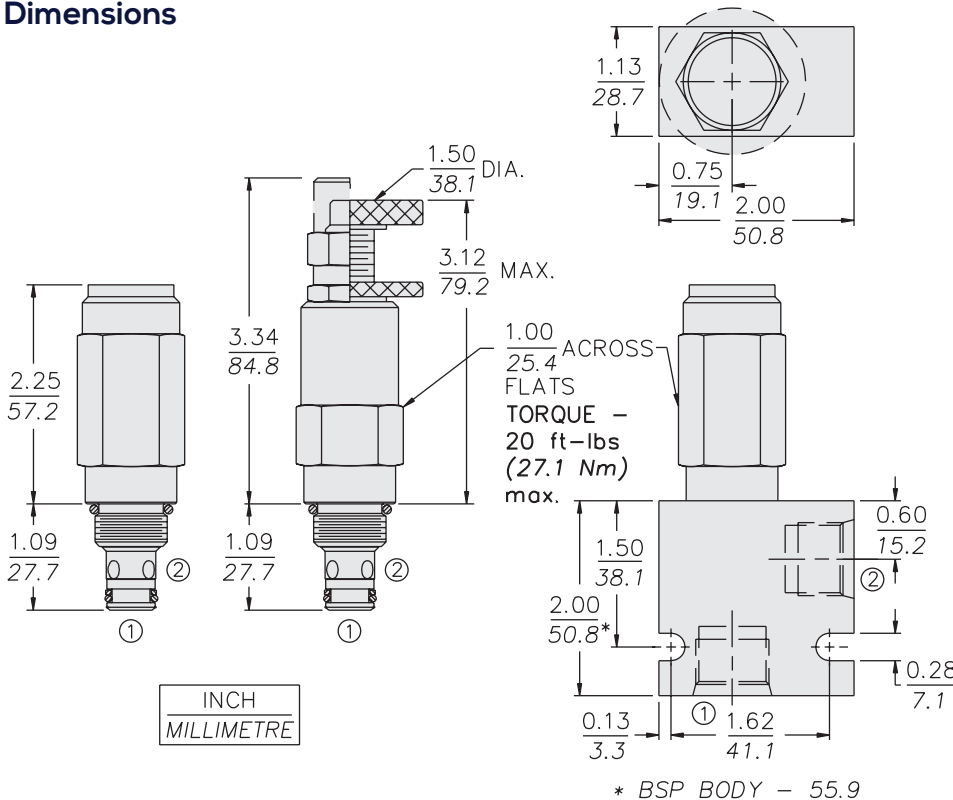
A screw-in, cartridge-style, direct-acting, poppet-type, hydraulic relief valve intended for lower flow circuits requiring low internal leakage.

Porting	Hydraforce code	Article no.	Spring Options	Price £	Price €
Cartridge Version	RV08-20A-0-N*	RV0820AC*	* suffix with	£83.10	€99.70
INLINE 1/4" BSP	RV08-20A-2B-N*	RV0820A2B*	5 = 3.45 TO 34.4 BAR 9 = 6.9 TO 75.8 BAR 18 = 17.2 TO 158.6 BAR	£142.20	€170.60
INLINE 3/8" BSP	RV08-20A-3B-N*	RV0820A3B*	33 = 17.2 TO 248 BAR	£144.40	€173.30

with nitril seals / Viton on request

- Standard** - with 1/4" HEX ALLEN HEAD 'A'
- On request** - 11/2" dia alum knob
Option 'A' with cover cap 'C'
Factory Set - Non Adjustable 'F'
Factory Set - Hidden Adjustment 'H'
Lockwire Holes 'L'

Dimensions



Materials

Cartridge:

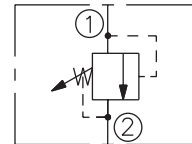
Weight: 0.23 kg. (0.50 lbs.)
Steel with hardened work surfaces.
Zinc-plated exposed surfaces.
Buna N O-rings and back-up standard. Anodized aluminum knobs and caps.

Standard Ported Body:

Weight: 0.16 kg. (0.35 lbs.)
Anodized highstrength 6061 T6 aluminum alloy, rated to 207 bar (3000 psi).
Ductile iron bodies available; dimensions may differ.

Symbols

USASI/ISO:



Performance

