

PS10-40

Sequence, Normally Closed with External Pilot and Drain,
207 BAR Rated

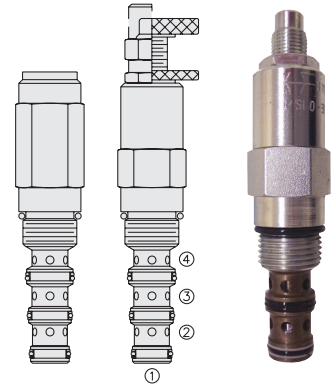
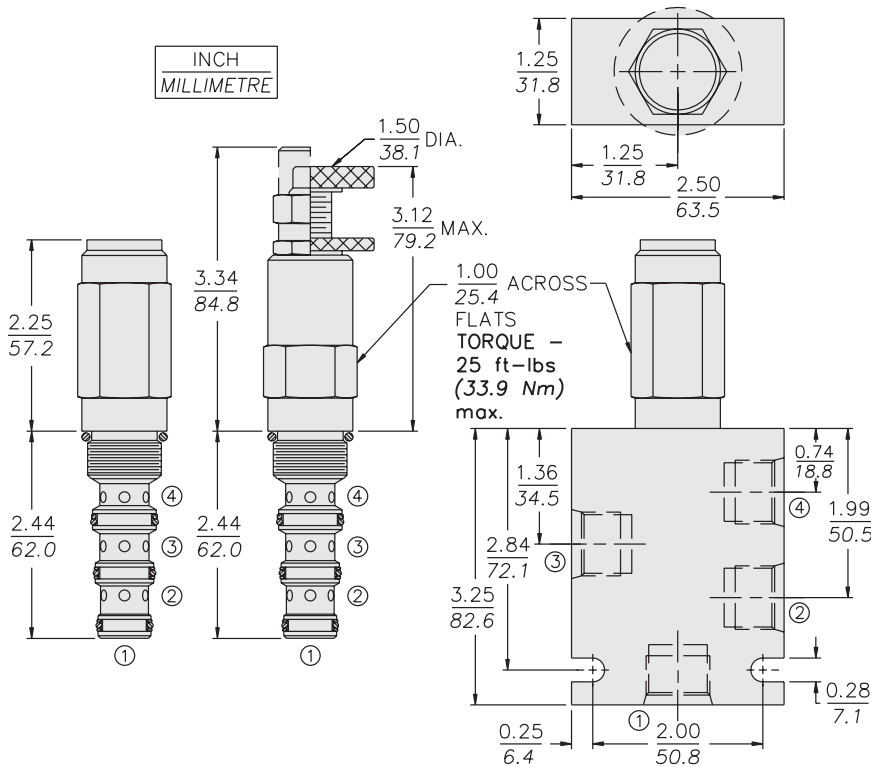
A screw-in, cartridge-style, direct-acting, spool-type, hydraulic sequence valve with external pilot and spring chamber drain. It is designed to function as a pressure signalled, remote pilot-operated, two-way, normally closed valve. A separate spring chamber drain galley allows port ③ or ② to be fully pressurised.

Porting	Hydraforce code	Article no.	Spring Options	Price £	Price €
Cartridge Version	PS10-40A-0-N*	PS1040AC*		£118.10	€141.80
INLINE 1/4" BSP	PS10-40A-2B-N*	PS1040A2B*	* suffix with 4 = 2.8 TO 27.6 BAR 22 = 15.2 TO 151 BAR	£208.30	€249.90
INLINE 3/8" BSP	PS10-40A-3B-N*	PS1040A3B*		£202.10	€242.60

with nitril seals / Viton on request

- Standard** - with 1/4" HEX ALLEN HEAD 'A'
- On request** - 11/2" dia alum knob 'B'
Option 'A' with cover cap 'C'
Factory Set - Non Adjustable 'F'
Factory Set - Hidden Adjustment 'H'
Lockwire Holes 'L'

Dimensions



Materials

Cartridge:

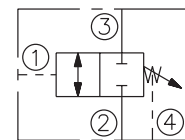
Weight: 0.34 kg. (0.70 lbs.)
Steel with hardened work surfaces.
Zinc-plated exposed surfaces.
Buna N O-rings and polyester elastomer back-ups standard.
Anodized aluminum knobs and caps.

Standard Ported Body:

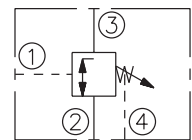
Weight: 0.34 kg. (0.70 lbs.)
Anodized highstrength 6061 T6 aluminum alloy, rated to 207 bar (3000 psi).
Ductile iron bodies available, dimensions may differ.

Symbols

USASI:



ISO:



Performance

