

PS10-32

Sequence, External Pilot, Internal Drain
207 BAR Rated

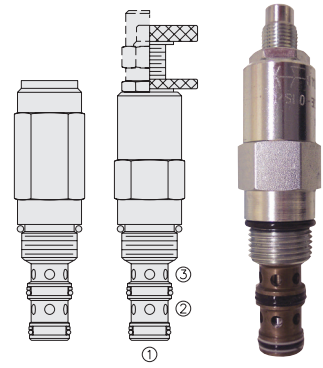
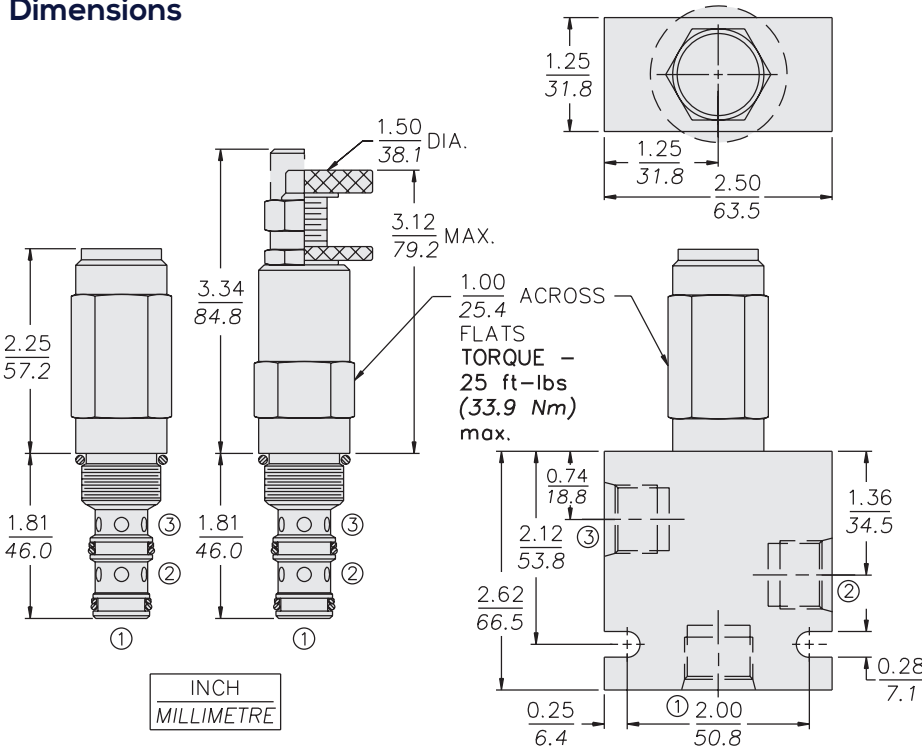
A screw-in, cartridge-style, direct-acting, spool-type, external pilot and internal spring chamber drain.

| Porting | Hydraforce code | Article no. | Spring Options | Price £ | Price € |
|-------------------|-----------------|-------------|--|----------------|----------------|
| Cartridge Version | PS10-32A-0-N* | PS1032AC* | * suffix with | £95.80 | €115.00 |
| INLINE 1/4" BSP | PS10-32A-2B-N* | PS1032A2B* | 4 = 5.5 TO 27.6 BAR | £184.60 | €221.60 |
| INLINE 3/8" BSP | PS10-32A-3B-N* | PS1032A3B* | 8 = 13.8 TO 55.2 BAR 15 = 20.7 TO 103 BAR 21 = 27.6 TO 145 BAR | £178.10 | €213.70 |

with nitril seals / Viton on request

- Standard** - with 1/4" HEX ALLEN HEAD 'A'
- On request** - 11/2" dia alum knob 'B'
Option 'A' with cover cap 'C'
Factory Set - Non Adjustable 'F'
Factory Set - Hidden Adjustment 'H'
Lockwire Holes 'L'

Dimensions



Materials

Cartridge:

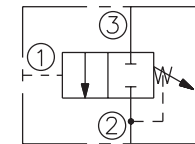
Weight: 0.27 kg. (0.60 lbs.)
Steel with hardened work surfaces.
Zinc-plated exposed surfaces.
Buna N O-rings and polyester elastomer back-ups standard.
Anodized aluminum knobs.

Standard Ported Body:

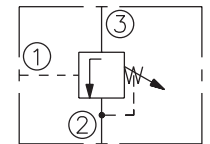
Weight: 0.36 kg. (0.80 lbs.)
Anodized highstrength 6061 T6 aluminum alloy, rated to 207 bar (3000 psi).
Ductile iron bodies available; dimensions may differ.

Symbols

USASI:



ISO:



Performance

Fully Open ③ to ②
32 cSt/150 sus oil at 40°C

