

PMS LEVER OPERATED HAND PUMP

Double pumping for single acting cylinder

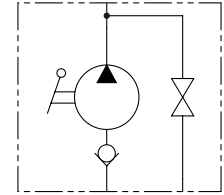
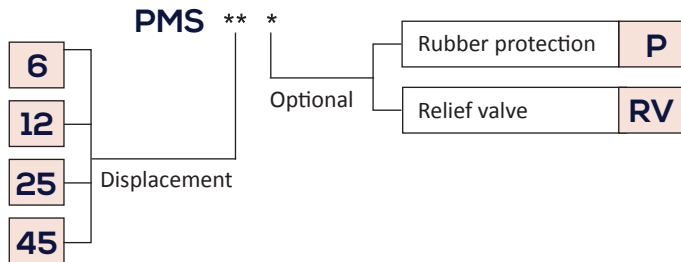


HAND PUMPS

Article no.	Displacement	Optimal Pressure	Max Pressure	Price £	Price €
PMS6	6 cm ³	420 BAR	500 BAR	£217.80	€224.40
PMS12	12 cm ³	220 BAR	380 BAR	£221.60	€228.30
PMS25	25 cm ³	120 BAR	350 BAR	£225.70	€232.5
PMS45	45 cm ³	80 BAR	280 BAR	£229.50	€236.50
Rubber Protection				£13.10	€13.50
Relief Valve Option				£22.40	€23.00

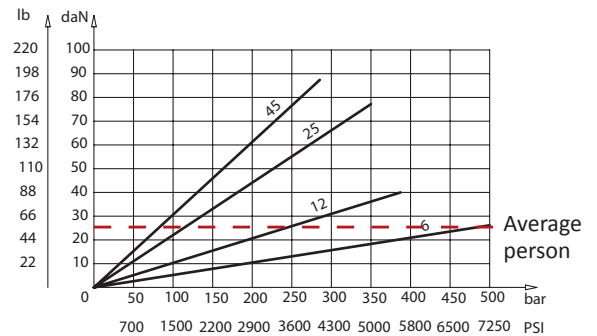
OLEOWEB
Valves and solutions

Ordering Code

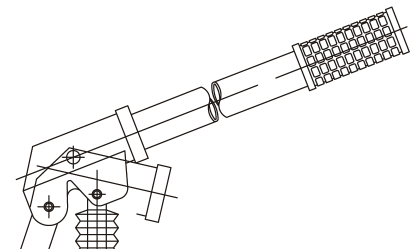
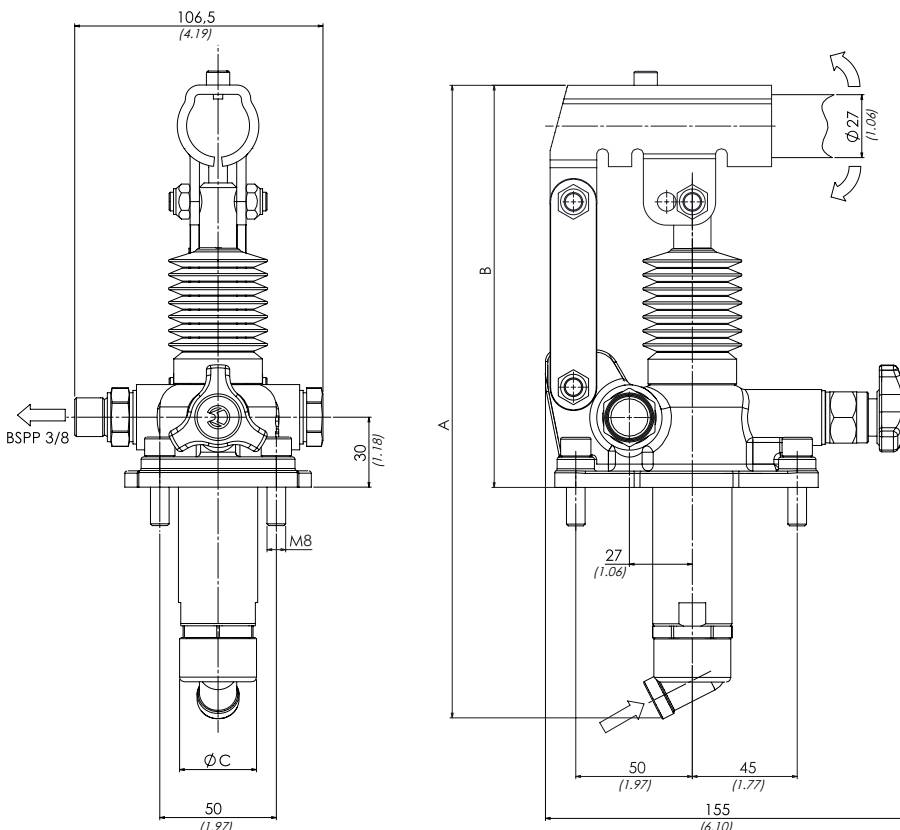


Technical data

Mineral oil
Oil viscosity 15-250 mm²/s (15 to 250 cSt)
Max contamination index ISO 4406:1999 Classe 19/17/14
Oil temperature -20°C +80°C -4°F + 176°F
Ambient temperature -20°C +50°C -4°F + 122°F
Weight 3.7kg
It is necessary a filter is used to protect the valve (advised filtration 15 µm)



Dimensions - mm (in)



THE PUMP IS SUPPLIED WITH SHAPED SEAL, FIXING SCREWS AND ACTING LEVER
Length= 600mm

	A	B	C
PMS6	253 (9.96)	166 (6.54)	34 (1.34)
PMS12	253 (9.96)	166 (6.54)	34 (1.34)
PMS25	273 (10.74)	172 (6.77)	34 (1.34)
PMS45	283 (11.14)	172 (6.77)	40 (1.57)