

PM50 LEVER OPERATED HAND PUMP

Double pumping for single acting cylinder

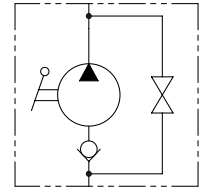
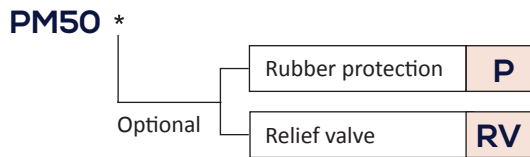


HAND PUMPS

Article no.	Displacement	Optimal Pressure	Max Pressure	Price £	Price €
PM50	50cm ³	80 BAR	280 BAR	£230.50	€237.40
Rubber Protection				£12.50	€12.90
Relief Valve Option				£21.30	€22.00

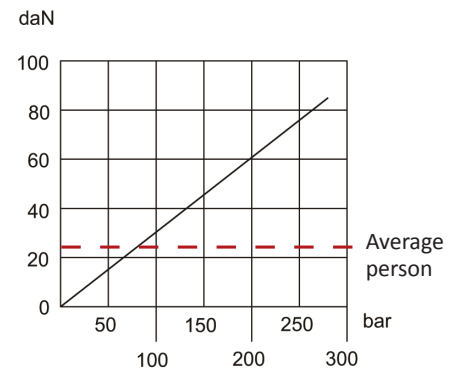
OLEOWEB
Valves and solutions

Ordering Code



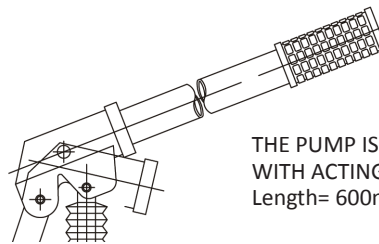
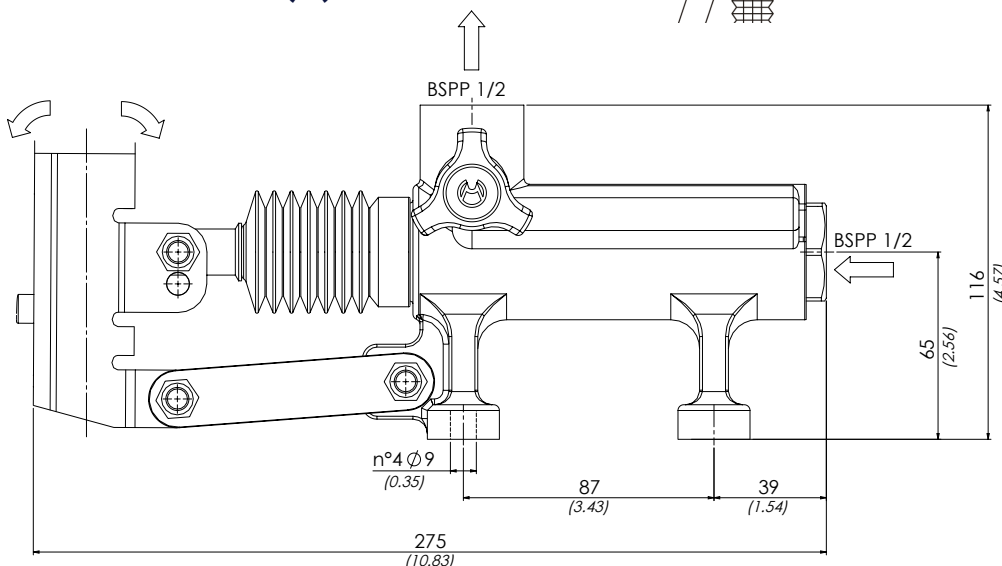
Technical data

Mineral oil ISO 6743/4 (DIN 51524)
 Oil viscosity 15-250 mm²/s (15 to 250 cSt)
 Max contamination index ISO 4406:1999 Classe 19/17/14
 Oil temperature -20°C +80°C -4°F + 176°F
 Ambient temperature -20°C +50°C -4°F + 122°F
 Weight 4.2kg
 It is necessary a filter is used to protect the valve (advised filtration 15 µm)



Effort (daN) operating on the end of the lever. Average person will generate 25 daN force.

Dimensions - mm (in)



THE PUMP IS SUPPLIED WITH ACTING LEVER
Length= 600mm

