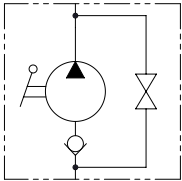




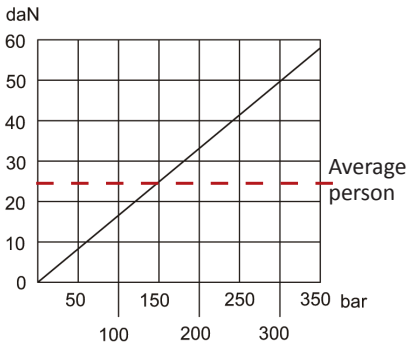
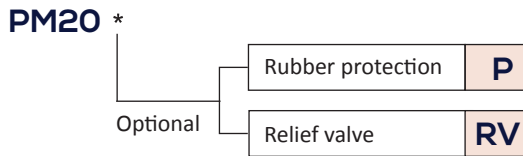
# PM20 LEVER OPERATED HAND PUMP

Double pumping for single acting cylinder

Article no.	Displacement	Optimal Pressure	Max Pressure	Price £	Price €
PM20	20cm <sup>3</sup>	150 BAR	350 BAR	£205.80	€212.10
Rubber Protection				£12.50	€12.90
Relief Valve Option				£21.30	€22.00



## Ordering Code

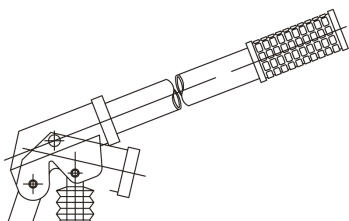
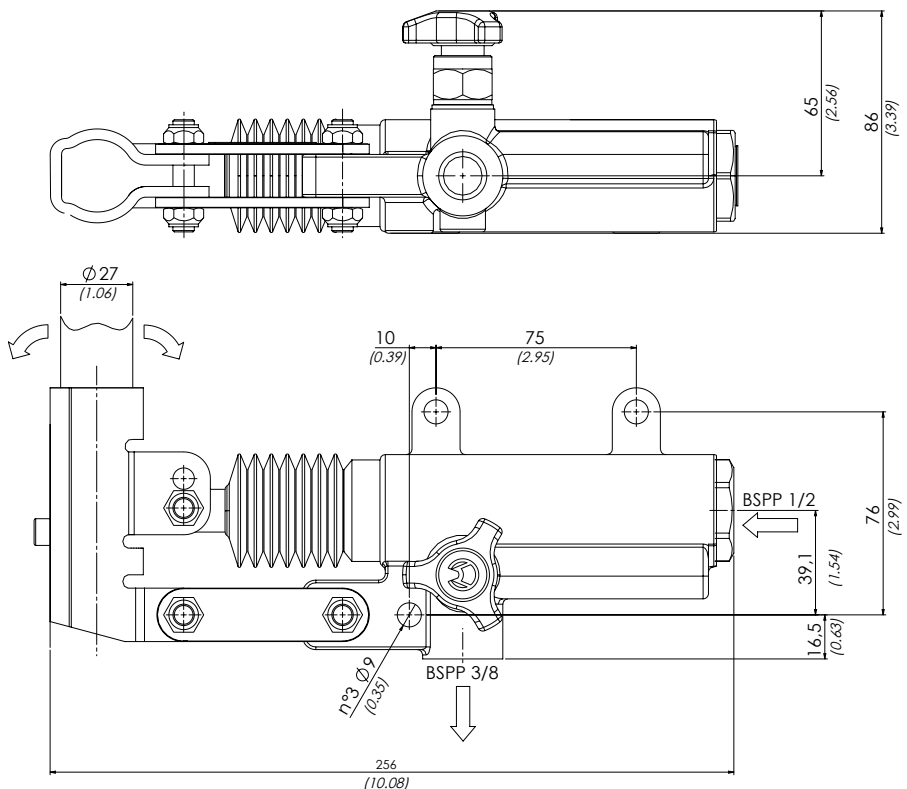


Effort (daN) operating on the end of the lever. Average person will generate 25 daN force.

## Technical data

- Mineral oil: ISO 6743/4 (DIN 51524)
- Oil viscosity: 15-250 mm<sup>2</sup>/s (15 to 250 cSt)
- Max contamination index: ISO 4406:1999 Classe 19/17/14
- Oil temperature: -20°C +80°C -4°F + 176°F
- Ambient temperature: -20°C +50°C -4°F + 122°F
- Weight: 3.4kg
- It is necessary a filter is used to protect the valve (advised filtration 15 µm)

## Dimensions - mm (in)



THE PUMP IS SUPPLIED WITH ACTING LEVER  
Length= 600mm