

# PRESSURE FILTER - PG

**50 BAR RATED - FLOWS TO 400 LPM**

## Pressure (ISO 10771-1:2002)

Max working: 5 MPa (50 bar)  
 Fatigue test: 0-5 Mpa (0-50 bar) 1 million cycles  
 Collapse, differential for the filter element (ISO 2941): 1 MPa (10 bar)

## Bypass Valve

Setting: 350 kPa (3,5 bar) ±10%

## Working Temperature

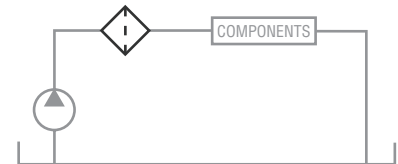
From -25° to +110° C

## Compatibility (ISO 2943:1999)

Full with fluids: HH-HL-HM-HV-HTG (according to ISO 6743/4)  
 For fluids different than the above mentioned, please contact our Sales Department.



PRESSURE FILTERS



## Materials

Head: Aluminium alloy  
 Bowl: Steel  
 Bypass valve: NBR Nitrile (FKM - on request fluoroelastomer)  
 Seals: NBR Nitrile (FKM - on request fluoroelastomer)  
 Indicator housing: Brass

## Recommended Flow Rates

Filter Media	$\Delta p$ 80 kPa (0.8 bar) for FPG20	$\Delta p$ 80 kPa (0.8 bar) for FPG21	$\Delta p$ 80 kPa (0.8 bar) for FPG22	$\Delta p$ 80 kPa (0.8 bar) for FPG31
FA	55	80	90	260
FB	70	105	130	270
FC	80	120	150	310
FS	85	125	150	340
FD	90	130	150	360
CC	105	150	150	400
CD	115	150	150	400
MC	130	150	150	400
MD	130	150	150	400
ME	150	150	150	400
MF	150	150	150	400

N.B. All the data have been obtained with mineral oil having a kinematic viscosity 30 cSt and specific gravity 0,9 kg/dm<sup>3</sup>; for fluids with different features, please consider the factors described in the first part of this catalogue. All the data are obtained from test done at the UFI HYDRAULIC DIVISION Laboratory, according to the specification ISO 3968:2005.

In case of discrepancy, please check the contamination level, viscosity and features of the fluid in use.

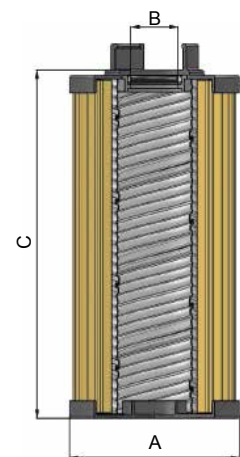
## Ordering Codes - Element

**E** Element

**P G** Family, Nominal Size, Length **20 21 22 31**

**Seals**  
**N** = NBR Nitrile **N N N N**  
**F** = FPM Fluoroelastomer **F F F F**

Filter Media				
CC = Cellulose 10 $\mu$ m $\beta > 2$	CC	CC	CC	CC
CD = Cellulose 10 $\mu$ m $\beta > 2$	CD	CD	CD	CD
FA = Fibre 5 $\mu$ m <sub>(c)</sub> $\beta > 1.000$	FA	FA	FA	FA
FB = Fibre 7 $\mu$ m <sub>(c)</sub> $\beta > 1.000$	FB	FB	FB	FB
FC = Fibre 12 $\mu$ m <sub>(c)</sub> $\beta > 1.000$	FC	FC	FC	FC
FD = Fibre 21 $\mu$ m <sub>(c)</sub> $\beta > 1.000$	FD	FD	FD	FD
MC = Metal wire mesh 10 $\mu$ m	MC	MC	MC	MC
MD = Metal wire mesh 30 $\mu$ m	MD	MD	MD	MD
ME = Metal wire mesh 60 $\mu$ m	ME	ME	ME	ME
MF = Metal wire mesh 90 $\mu$ m	MF	MF	MF	MF



## Dimensions (mm) FILTER ELEMENT

	A	B	C	Area (cm <sup>2</sup> )		
				media F+	media C+	media M+
EPG20	78	30	100	1.300	1.500	1.000
EPG21	78	30	160	2.200	2.550	1.700
EPG22	78	30	240	3.300	3.900	2.600
EPG31	92	40	215	4.700	5.100	3.500



# PRESSURE FILTER - PG

50 Bar Rated - flows to 400 lpm

## Ordering Codes - Filter

<b>F</b>	Type F = Filter Complete
----------	--------------------------

<b>P</b>	<b>G</b>			<b>Family, Nominal Size, Length</b>	<b>20</b>	<b>21</b>	<b>22</b>	<b>31</b>
----------	----------	--	--	-------------------------------------	-----------	-----------	-----------	-----------

<b>B</b>	Port Type B = BSP Thread
----------	--------------------------

	<b>Port Size</b>				
	06 = 3/4"	06	06	06	-
	08 = 1"	08	08	08	-
	10 = 1 1/4"	-	-	-	10
	12 = 1 1/2"	-	-	-	12

	<b>Bypass Valve</b>				
	W = Without	W	W	W	W
	D = bypass valve 3.5 bar	D	D	D	D

	<b>Seals</b>				
	N = NBR Nitrile	N	N	N	N
	F = FPM Fluoroelastomer	F	F	F	F

	<b>Filter Media</b>				
	CC = Cellulose 10µm b>2	CC	CC	CC	CC
	CD = Cellulose 10µm β>2	CD	CD	CD	CD
	FA = Fibre 5µm <sub>(c)</sub> β>1.000	FA	FA	FA	FA
	FB = Fibre 7µm <sub>(c)</sub> β>1.000	FB	FB	FB	FB
	FC = Fibre 12µm <sub>(c)</sub> β>1.000	FC	FC	FC	FC
	FD = Fibre 21µm <sub>(c)</sub> β>1.000	FD	FD	FD	FD
	MC = Metal wire mesh 10µm	MC	MC	MC	MC
	MD = Metal wire mesh 30µm	MD	MD	MD	MD
	ME = Metal wire mesh 60µm	ME	ME	ME	ME
	MF = Metal wire mesh 90µm	MF	MF	MF	MF

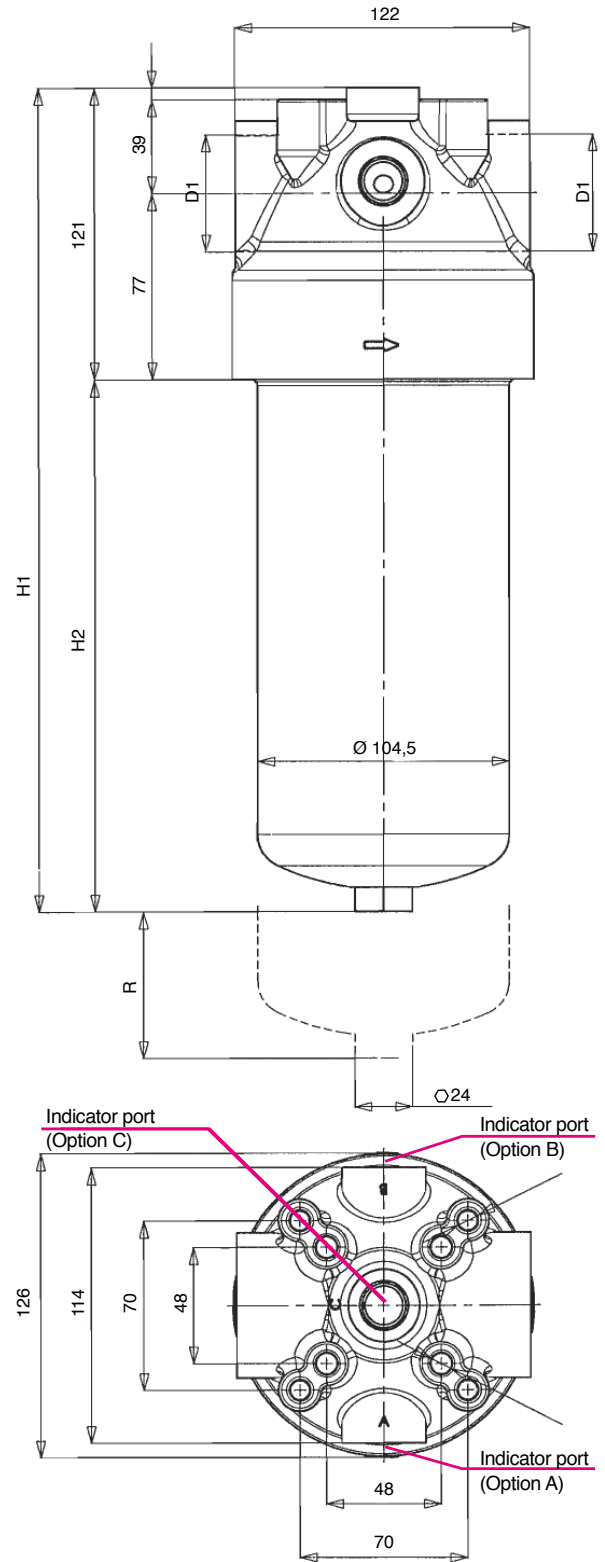
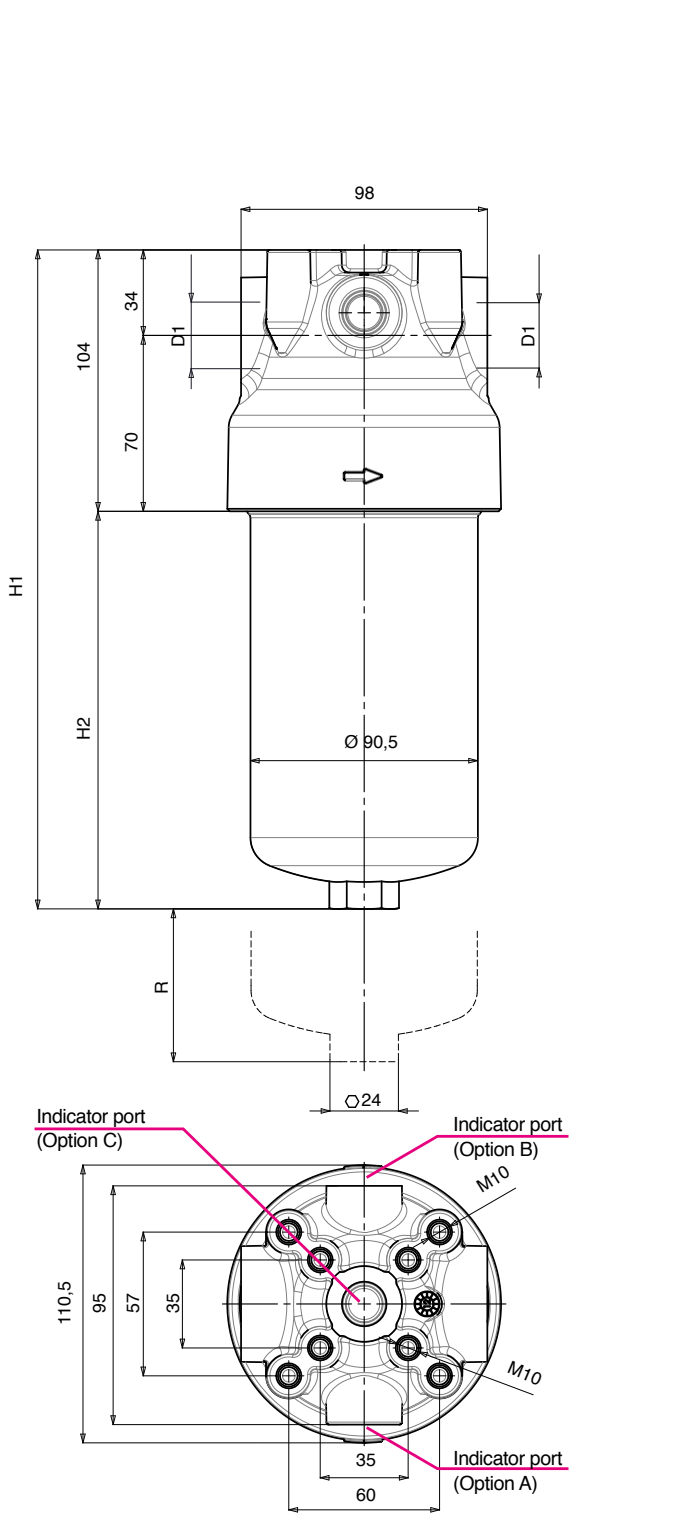
	<b>Clogging Indicator</b>				
	00 = No indicator port	00	00	00	00
	03 = Port, plugged	03	03	03	03
	5D = Visual Differential 2.5 bar	5D	5D	5D	5D
	6D = Electrical Differential 2.5 bar	6D	6D	6D	6D
	7D = Electrical & LED Differential 2.5 bar	7D	7D	7D	7D
	76 = Electrical & Visual Differential 2.5 bar	76	76	76	76
	T6 = Elect. diff 2.5 bar with thermostat 30°C	T6	T6	T6	T6

	<b>Accessories</b>				
	W = No indicator port	W	W	W	W
	A = Indicator port - left side	A	A	A	A
	B = Indicator port - right side	B	B	B	B
	C = Indicator port - on the top	C	C	C	C

<b>X</b>	Accessories X = no access available	X	X	X	X
----------	-------------------------------------	---	---	---	---

# PRESSURE FILTER - PG

50 Bar Rated - flows to 400 lpm



## Dimensions (mm) - FILTER HOUSING

	D1	H1	H2	R	kg
FPG20	3/4" - 1"	202	98	70	2,00
FPG21	3/4" - 1"	262	158	70	2,25
FPG22	3/4" - 1"	342	238	70	2,80
FPG31	1" 1/4 - 1" 1/2	341	220	70	3,50

