

# PD10-44

**Piloted 2-Way Spool**  
**207 BAR Rated**

A screw-in, cartridge-style, pilot-operated, spool-type, hydraulic directional valve for three-way circuits requiring remote pilot actuation.

Porting	Hydraforce code	Article no.	Bias Spring Options	Price £	Price €
Cartridge Version	PD10-44-0-NS*	PD10440C*	* suffix with	<b>£85.70</b>	<b>€102.90</b>
INLINE 1/4" BSP	PD10-44-2B-NS*	PD10442B*	<b>110 = 7.6 BAR (110 PSI)</b> <b>170 = 11.7 BAR (170 PSI)</b>	<b>£175.90</b>	<b>€211.10</b>
INLINE 3/8" BSP	PD10-44-3B-NS*	PD10443B*		<b>£169.70</b>	<b>€203.70</b>

with nitril seals / Viton on request

## Materials

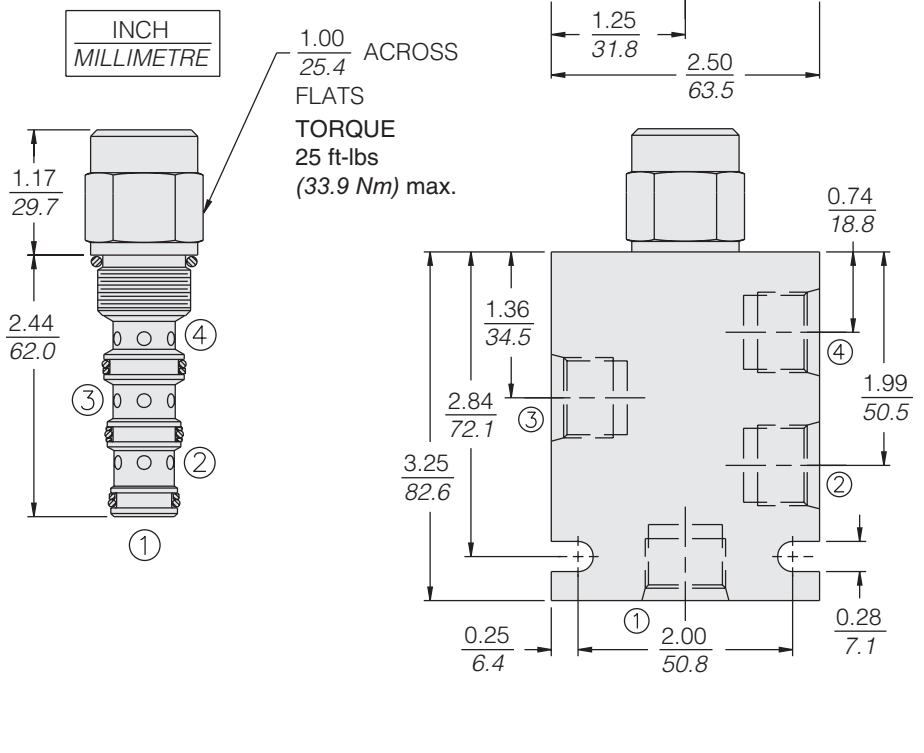
### Cartridge:

Weight: 0.16 kg. (0.35 lbs.)  
Steel with hardened work surfaces.  
Zinc-plated exposed surfaces.  
Buna N O-rings and polyester elastomer back-ups standard.

### Standard Ported Body:

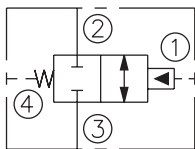
Weight: 0.34 kg. (0.75 lbs.)  
Anodized highstrength 6061 T6 aluminum alloy, rated to 207 bar (3000 psi).  
Ductile iron bodies available; dimensions may differ.

## Dimensions

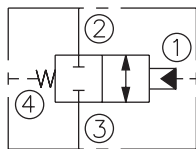


## Symbols

### USASI



### ISO:



## Performance

