

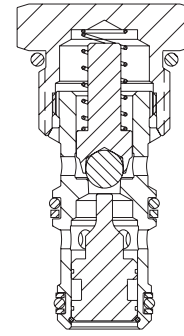
PC10-30

Check Valve, Pilot-to-Open, 207 BAR Rated

A screw-in, cartridge-style, pilot-operated, hydraulic check valve for use in blocking or load-holding circuits.

Porting	Hydraforce code	Article no.	Bias Spring Options	Price £	Price €
Cartridge Version	PC10-30-0-N*	PC10300C*	leave blank for 1.72 BAR (25 PSI) * suffix with	£56.40	€67.70
INLINE 1/4"BSP	PC10-30-2B-N*	PC10302B*	70 = 4.8 BAR (70 PSI) 90 = 6.2 BAR (90 PSI)	£145.30	€174.30
INLINE 3/8"BSP	PC10-30-3B-N*	PC10303B*	120 = 8.2 BAR (120 PSI) 270 = 18.3 BAR (270 PSI)	£138.70	€166.40

with nitril seals / Viton on request



Materials

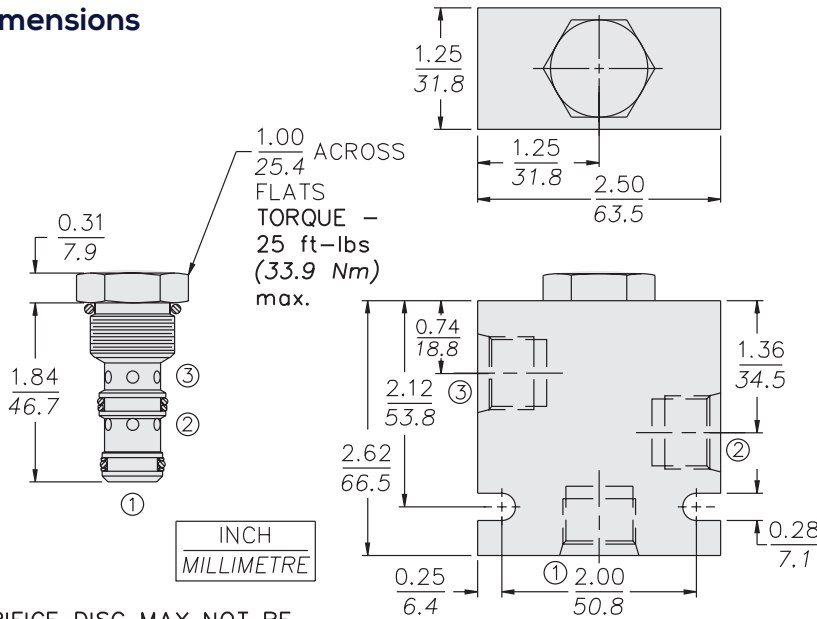
Cartridge:

Weight: 0.09 kg. (0.20 lbs.)
Steel with hardened work surfaces.
Zinc-plated exposed surfaces.
Buna N O-rings and back-ups standard.

Standard Ported Body:

Weight: 0.36 kg. (0.80 lbs.)
Anodized highstrength 6061 T6 aluminum alloy, rated to 207 bar (3000 psi).
Ductile iron bodies available; dimensions may differ.

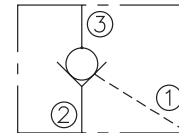
Dimensions



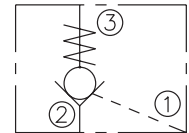
ORIFICE DISC MAY NOT BE USED WITH THIS PRODUCT.

Symbols

USASI:



ISO:



Performance

