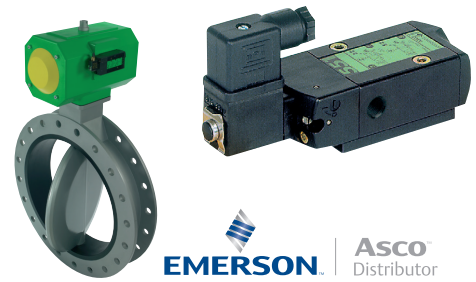


# NAMUR PILOT SOLENOID VALVES 3/2 - 5/2

With Namur Interface for Valve Actuation  
Solenoid Air Operated  
Threaded G 1/4"  
Version with Integral Pilots



**EMERSON** | ASCO<sup>®</sup> Distributor

PNEUMATIC ACTUATED VALVES

- Construction also protects the actuator from the environment
- Excellent service life in external applications
- Adjustable flow regulators which can be adapted directly to adjust the exhaust orifices
- Compact dimensions for optimum integration with the actuators

## Options & Accessories

- Stainless steel exhaust protector
- Batch of 2 exhaust reducers G 1/8
- Stainless steel screws
- Replacement coils

Fluids	Air or inert gas, filtered, lubricated or not
Differential pressure	2 to 10 bar
Fluid temperature	- 25°C to +60°C
Ambient temperature	- 25°C to +60°C
Flow	(Qv at 6 bar) (ANR) 700 l/min
Body	Black anodised aluminium
End sections / plates	Glass fibre-reinforced polyamide
Internal components	Zamak, stainless steel, acetal (POM), aluminium
Sealings	NBR (nitrile), PUR (polyurethane)
Standard voltages	DC (=) 24V - 48V AC (~) 24V - 48V - 115V - 230V / 50Hz

## Standard Rated Value IP65

Article no.	Price £	Price €
55100229*	£105.20	€131.50

Suffix \* with  
A - 220V AC  
B - 110V AC  
D - 24V DC



OTHERS AVAILABLE ON REQUEST

## Intrinsically Safe

Article no.		Price £	Price €
450687	24v DC	£429.00	€514.80

## Explosion Proof

Article no.		Price £	Price €
447417	24v DC	£905.20	€1,086.30
450099	230v AC	£905.20	€1,086.30
452647	110v AC	£1,275.90	€1,531.00

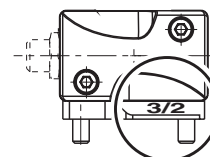
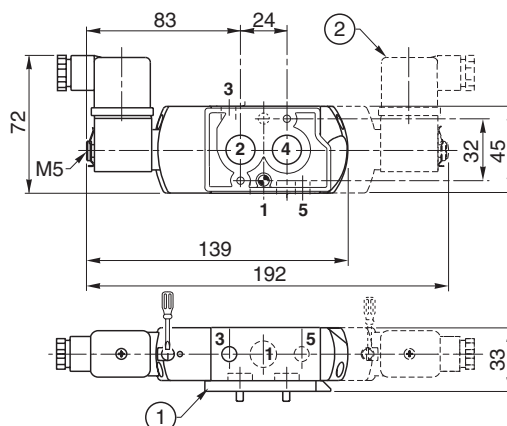
Ø connection	Solenoid pilot valve (1)				Connector
	Type	~ VA	= W	(M)	
G 1/4	Integral	7	6.9	•	 size 22, DIN 43650, 11 mm, industry standard B
G 1/4	Integral	7	6.9	•	 size 22, DIN 43650, 11 mm, industry standard B

(1) for your order, indicate the type of current: voltage/frequency (M) Manual operator •: maintained

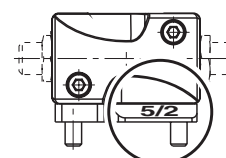
## Dimensions

**Orifices**  
1 : Pressure  
2-4 : Outlet  
3-5 : Exhaust

- ① interface plate
- ② bistable function
- ☛ : manual operator



**3/2 NC**  
adapt the plate 3/2  
under the spool valve



**5/2**  
adapt the plate 5/2  
under the spool valve