

MULTI COUPLINGS

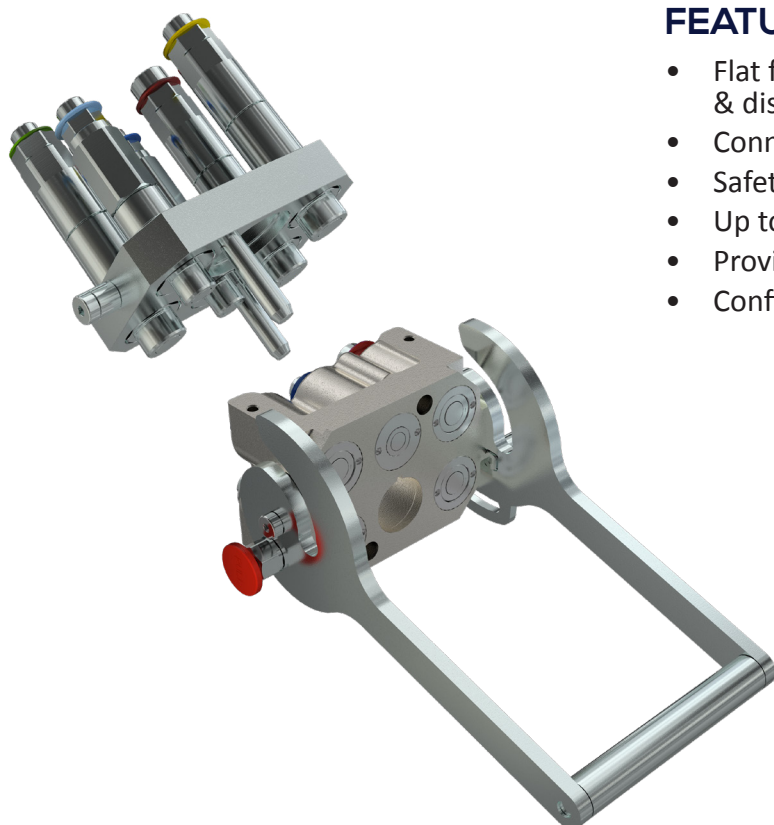
MultiFaster

Multi couplings allow simultaneous connection & disconnection of several hydraulic lines with one simple lever operation, even with residual pressure.

This connection system reduces the number of potential leak points and eliminates the risk of incorrect line connections that can occur when operators are working with many individual hoses.

The MULTIFASTER system is widely considered the market reference for hydraulic multi-couplers, and provides wide-ranging configuration options to suit application requirements.

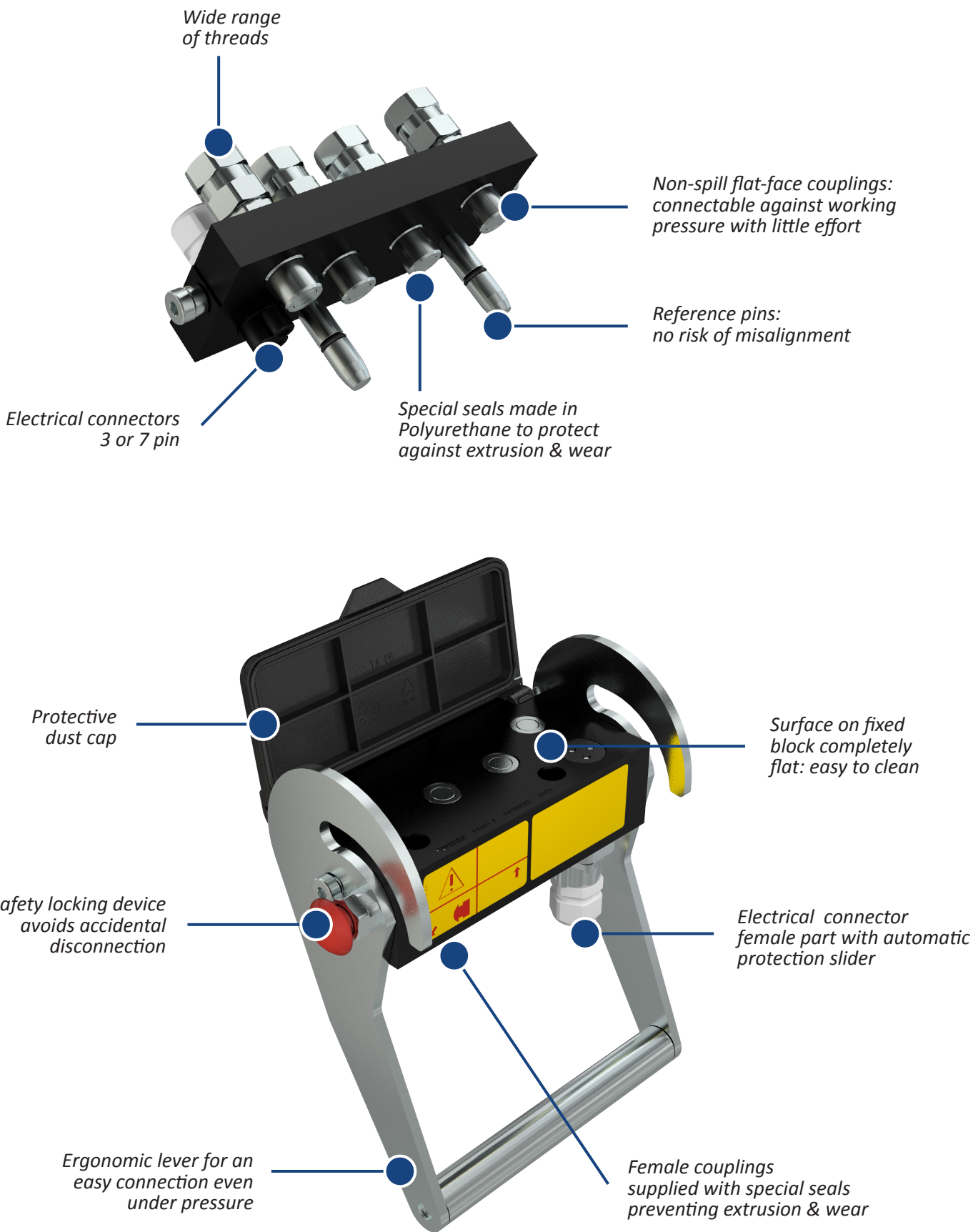
Multiple size and type configurations are available on a single plate, many available from stock at ISIS where we can assemble in-house to provide a variety of combinations.



FEATURES

- Flat face couplings for leak-free connection & disconnection
- Connect with residual pressure in system
- Safety lock mechanism
- Up to 15 lines in one plate
- Provision for electrical connections
- Configurable lever type and location

MultiFaster



MULTI COUPLINGS

MultiFaster

