

# MP08-20

Manual, Spring Return, Pull-to-Open  
207 BAR Rated

A manual, 2-way, pull-to-open, screw-in hydraulic directional valve.

Porting	Hydraforce code	Article no.	Price £	Price €
Cartridge Version	MP08-20T-0-N25	MP0820T0C25	£71.80	€86.10
INLINE 1/4" BSP	MP08-20T-2B-N25	MP0820T2B25	£130.80	€157.00
INLINE 3/8" BSP	MP08-20T-3B-N25	MP0820T3B25	£133.00	€159.60

with nitril seals / Viton on request  
STANDARD WITH THREADED SHAFT 'T'  
Options for black 'K' Or red 'J' plastic knobs

## Materials

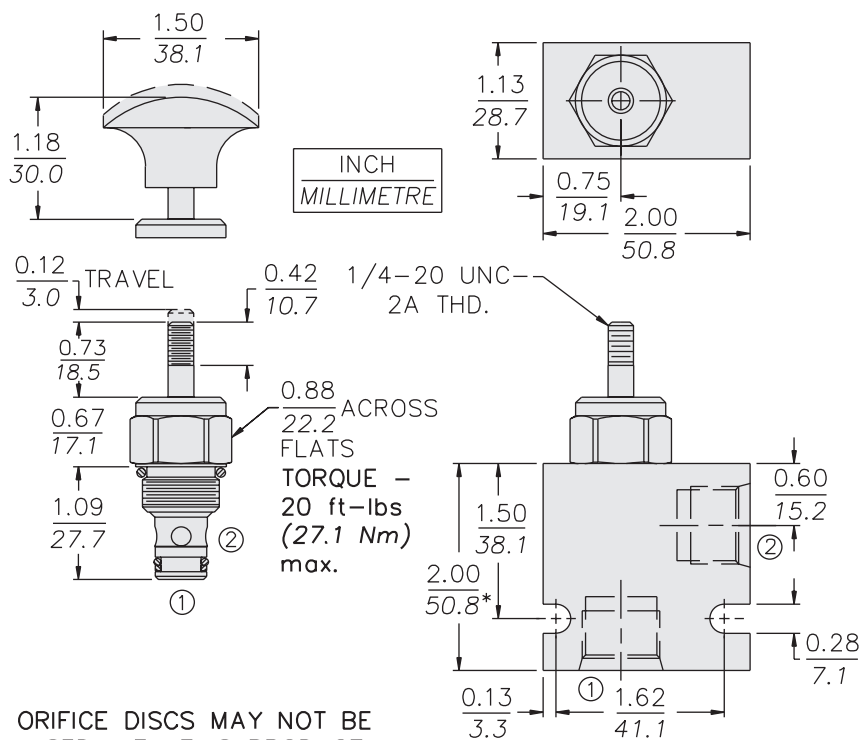
### Cartridge:

Weight: 0.10 kg. (0.22 lbs.)  
Steel with hardened work surfaces.  
Zinc-plated exposed surfaces.  
Buna N O-rings and back-ups standard. Plastic knob optional.

### Standard Ported Body:

Weight: 0.16 kg. (0.35 lbs.)  
Anodized highstrength  
6061 T6 aluminum alloy,  
rated to 207 bar (3000 psi).  
Ductile iron bodies available;  
dimensions may differ.

## Dimensions

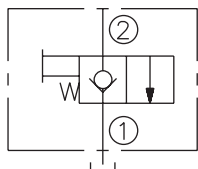


ORIFICE DISCS MAY NOT BE USED WITH THIS PRODUCT.

\* BSP BODY - 55.9

## Symbols

### USASI/ISO:



## Performance

