



**TOSACA**

# MODEL 1415 SAFETY RELIEF VALVE

## Description

- Safety and relief valve, angle type, conventional
- According ASME VIII and XIII
- Direct spring loaded
- Full lift safety valve
- A 216 WCB, WCC, Stainless steel A351 CF3M.
- A217 WC6, LCC, DUPLEX, SUPERDUPLEX (on request)
- Steam, gases, cryogenic fluids, H<sub>2</sub>, vapours and liquids
- Cleaned and degreased for oxygen service
- Flanged ASME/ANSI B16.5 ANSI150 / 300 / 600 / 900 / 1500 / 2500
- Seat metal- metal, Stellite, Viton and PTFE
- Set pressure range 0,2 (with bellows 2 barg) to 425 barg
- Tolerance Set pressure  $\pm 3\%$
- Overpressure 10%
- European Pressure Equipment Directive PED 2014/68/EU
- CE 0056 Module B
- CE Production Quality Assurance (Module D) ES037955- 1035
- Material test certificate EN 10204 3.1

## Options

Lifting device

Sealed packing lever

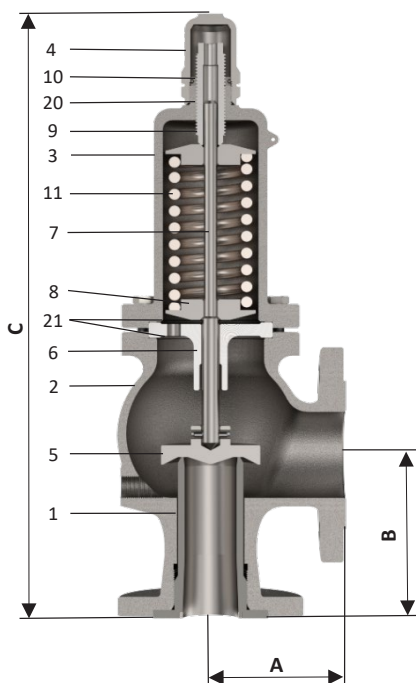
Open bonnet

Soft seat, viton, PTFE.

Bellows AISI 316TI, Inconel.

ECTFE powder coating for highly corrosive or ultrapure chemicals

## Materials



Item	Description	Material		
		Carbon steel	Stainless steel	DUPLEX
1	Nozzle	AISI-316L	AISI-316L	EN 1.4462
2	Body	A216 WCB	A351 CF-3M	EN 1.4462
3	Bonnet	A216 WCB	A351 CF-3M	EN 1.4462
4	Cap	A351 CF 8	A351 CF 8	EN 1.4462
5 *	Disc	AISI-316L	AISI-316L	EN 1.4462
6	Guide	AISI-316L	AISI-316L	EN 1.4462
7	Push Rod	AISI-316L	AISI-316L	EN 1.4462
8	Spring Button	C. Steel zn.	AISI-304	EN 1.4462
9	Adjusting Screw	AISI-420	AISI-303	EN 1.4462
10	Tension Nut	Carbon Steel	AISI-303	EN 1.4462
11*	Spring	Carbon Steel	AISI-302	Inconel X 750
12	Lever	A351 CF 8	A351 CF 8	A351 CF 8
17	Release nut	AISI-304	AISI-304	AISI-304
18	Lever axis	AISI-303	AISI-303	AISI-303
19	Packing lever axis	AISI-303	AISI-303	AISI-303
20 *	Gasket cap	PTFE	PTFE	PTFE
21 *	Gasket	Graphite + S.S.	Graphite + S.S.	Graphite + S.S.
22 *	Gasket pack, lever	Viton	Viton	Viton
27 *	Bellows	AISI-316 TI	AISI-316 TI	AISI-316 TI
28 *	Soft seat	Viton / PTFE	Viton / PTFE	Viton / PTFE

\* Recommended spare parts

# MODEL 1415 SAFETY RELIEF VALVE

**TOSACA**



SAFETY RELIEF VALVES

## Dimensions

Letter	Orif. (mm)	Area (mm <sup>2</sup> )	ANSI 150				ANSI 300				ANSI 600				
			A (mm)	B (mm)	C (mm)	Weight (kg)	A (mm)	B (mm)	C (mm)	Weight (kg)	A (mm)	B (mm)	C (mm)	Weight (kg)	
D/E	1 1/2" D / E 1"	9,5 / 13	71/133	95	95	275	10	95	95	275	10	95	100	275	11
	3/4" D / E 1"	9,5 / 13	71/133	95	95	275	10	95	95	275	10	95	100	275	11
	1" D / E 1"	9,5 / 13	71/133	95	95	275	10	95	95	275	10	95	100	275	11
	1" D / E 2"	9,5 / 13	71/133	114	105	275	14	114	105	275	16	114	105	275	18
F	1 1/2" F 2"	16	201	121	124	315	17	121	124	315	17	152	124	315	20
	1 1/2" F 2" 300L	16	201	•	•	•	•	152	124	315	17	•	•	•	•
G	1 1/2" G 3"	21	346	121	124	400	26	121	124	400	26	152	124	400	28
	1 1/2" G 3" 300L	21	346	•	•	•	•	152	124	400	26	•	•	•	•
H	1 1/2" H 3"	26	531	124	130	400	26	124	130	400	26	•	•	•	•
	2" H 3"	26	531	•	•	•	•	124	130	400	27	162	154	400	32
J	2" J 3"	32,5	830	124	137	400	28	124	137	400	29	•	•	•	•
	3" J 4"	32,5	830	•	•	•	•	181	184	595	56	181	184	595	62
K	3" K 4"	40	1.195	162	156	595	56	162	156	595	56	181	184	595	62
L	3" L 4"	49	1.866	165	156	595	56	165	156	595	56	•	•	•	•
	4" L 6"	49	1.866	•	•	•	•	181	179	630	56	203	179	630	90
M	4" M 6"	55	2.376	184	178	630	88	184	178	630	90	203	178	630	110
N	4" N 6"	60	2.827	210	197	630	88	210	197	630	90	222	197	630	110
P	4" P 6"	73	4.185	229	181	630	88	229	181	630	90	254	225	630	120
	4" P 6" 300L	73	4.185	•	•	•	•	254	181	630	90	•	•	•	•
Q	6" Q 8"	96	7.238	241	240	690	140	241	240	690	140	241	240	690	190
R	6" R 8"	115	10.387	241	240	690	140	241	240	690	140	•	•	•	•
	6" R 10"	115	10.387	•	•	•	•	267	240	795	198	267	240	795	198
T	8" T 10"	147	16.972	279	276	800	210	279	276	800	220	•	•	•	•
V	10" V 14"	200	31.415	406	305	1.390	750	406	305	1.390	780	•	•	•	•
W	12" W 16"	228	40.828	406	359	1.432	800	406	359	1.432	850	•	•	•	•

Letter	Orif. (mm)	Area (mm <sup>2</sup> )	ANSI 900				ANSI 1500				ANSI 2500				Weight (kg)
			A (mm)	B (mm)	C (mm)	Weight (kg)	A (mm)	B (mm)	C (mm)	Weight (kg)	A (mm)	B (mm)	C (mm)	Weight (kg)	
D/E	1 1/2" D 2"	9,5 / 13	71/133	140	105	315	19	140	105	315	24	•	•	•	•
	1 1/2" D 3"	9,5 / 13	71/133	•	•	•	•	•	•	•	•	178	140	325	30
F	1 1/2" F 3"	16	201	165	124	315	22	165	124	315	22	178	140	325	30
G	1 1/2" G 3"	21	346	165	124	430	28	•	•	•	•	•	•	•	•
	2" G 3"	21	346	•	•	•	•	175	156	444	41	175	156	444	50
H	2" H 3"	26	531	162	154	400	32	162	154	430	45	•	•	•	•
J	3" J 4"	32,5	830	181	184	595	70	181	184	595	65	•	•	•	•
K	3" K 6"	40	1.195	216	198	610	90	216	198	610	105	•	•	•	•
L	4" L 6"	49	1.866	222	197	820	140	222	197	820	120	•	•	•	•
M	4" M 6"	55	2.376	222	197	690	140	•	•	•	•	•	•	•	•
N	4" N 6"	60	2.827	222	197	820	140	•	•	•	•	•	•	•	•
P	4" P 6"	73	4.185	254	225	630	140	•	•	•	•	•	•	•	•

# MODEL 1415 SAFETY RELIEF VALVE

**TOSACA**


Size - Inlet / Outlet	ANSI 150 Flanged - Carbon Steel		ANSI 150 Flanged - Stainless Steel		ANSI 300 Flanged - Carbon Steel		ANSI 300 Flanged - Stainless Steel	
	Price £	Price €	Price £	Price €	Price £	Price €	Price £	Price €
1/2" x 1"	£760.70	€823.70	£2,000.90	€2,166.60	£797.40	€863.50	£2,125.70	€2,301.70
3/4" x 1"	£814.60	€882.00	£2,000.90	€2,166.60	£875.70	€948.20	£2,167.30	€2,346.70
1" x 1"	£1,017.60	€1,101.90	£2,000.90	€2,166.60	£1,066.50	€1,154.80	£2,184.40	€2,365.30
1" x 2"	£1,046.90	€1,133.60	£2,020.50	€2,187.80	£1,095.90	€1,186.60	£2,240.60	€2,426.20
1 1/2" x 2"	£1,656.10	€1,793.20	£2,644.30	€2,863.30	£1,709.90	€1,851.50	£3,074.80	€3,329.40
1 1/2" x 3"	£2,399.70	€2,598.40	£3,405.00	€3,687.00	£2,441.20	€2,643.40	£3,960.30	€4,288.20
2" x 3"	£2,502.40	€2,709.60	£3,757.20	€4,068.40	£2,656.50	€2,876.50	£4,373.70	€4,735.90
3" x 4"	£3,828.20	€4,145.20	£6,095.70	€6,600.50	£3,999.40	€4,330.60	£7,096.20	€7,683.90
4" x 6"	£6,127.10	€6,634.50	£11,772.00	€12,746.80	£6,814.90	€7,379.20	£12,475.20	€13,508.30
6" x 8"	£10,877.90	€11,778.70	£21,154.10	€22,905.90	£12,428.70	€13,458.00	£24,236.20	€26,243.20
6" x 10"					£15,620.90	€16,914.60	£26,454.80	€28,645.60
8" x 10"	£16,800.00	€18,191.20	£24,808.60	€26,863.00	£19,414.90	€21,022.70	£28,039.90	€30,362.00
10" x 14"	£55,388.50	€59,975.40	£65,076.00	€70,465.10	£57,230.00	€61,969.40	£65,076.00	€70,465.10
12" x 16"	£61,222.30	€66,292.20	£69,114.50	€74,838.00	£62,537.60	€67,716.50	£69,114.50	€74,838.00

Size - Inlet / Outlet	ANSI 600 Flanged - Carbon Steel		ANSI 600 Flanged - Stainless Steel		ANSI 900 Flanged - Carbon Steel		ANSI 900 Flanged - Stainless Steel	
	Price £	Price €	Price £	Price €	Price £	Price €	Price £	Price €
1/2" x 1"	£1,200.00	€1,299.40	£2,316.50	€2,508.30				
3/4" x 1"	£1,216.10	€1,316.90	£2,367.80	€2,563.90				
1" x 1"	£1,285.40	€1,391.80	£2,416.80	€2,616.90				
1" x 2"	£1,410.00	€1,526.80	£2,468.10	€2,672.50				
1 1/2" x 2"	£3,050.70	€3,303.40	£4,031.30	€4,365.10	£4,557.60	€4,935.10	£5,352.10	€5,795.40
1 1/2" x 3"	£4,467.60	€4,837.60	£5,976.80	€6,471.80	£5,400.00	€5,847.20	£5,567.40	€6,028.40
2" x 3"	£4,696.10	€5,085.00	£6,086.00	€6,590.00	£5,515.30	€5,972.10	£6,851.60	€7,419.00
3" x 4"	£6,766.10	€7,326.40	£9,520.30	€10,308.70	£9,507.60	€10,294.90	£10,202.80	€11,047.70
3" x 6"					£11,226.80	€12,156.50	£13,390.10	€14,499.00
4" x 6"	£10,096.00	€10,932.10	£15,341.40	€16,611.80	£12,046.00	€13,043.50	£18,617.40	€20,159.20
6" x 8"	£14,473.70	€15,672.30	£26,171.10	€28,338.40				
6" x 10"	£16,628.70	€18,005.80	£26,706.70	€28,918.40				

Size - Inlet / Outlet	ANSI 1500 Flanged - Carbon Steel		ANSI 1500 Flanged - Stainless Steel		ANSI 2500 Flanged - Carbon Steel		ANSI 2500 Flanged - Stainless Steel	
	Price £	Price €	Price £	Price €	Price £	Price €	Price £	Price €
1 1/2" x 2"	£4,557.60	€4,935.10	£6,208.30	€6,722.40				
1 1/2" x 3"	£5,400.00	€5,847.20	£6,423.50	€6,955.50	£5,884.60	€6,371.90	£6,423.50	€6,955.50
2" x 3"	£5,515.30	€5,972.10	£7,707.70	€8,346.00	£6,530.70	€7,071.50	£7,935.20	€8,592.30
3" x 4"	£9,507.60	€10,294.90	£10,491.40	€11,360.20				
3" x 6"	£11,226.80	€12,156.50	£14,057.90	€15,222.00				
4" x 6"	£12,046.00	€13,043.50	£18,617.40	€20,159.20				