



**TOSACA**

# MODEL 1400 SAFETY RELIEF VALVE

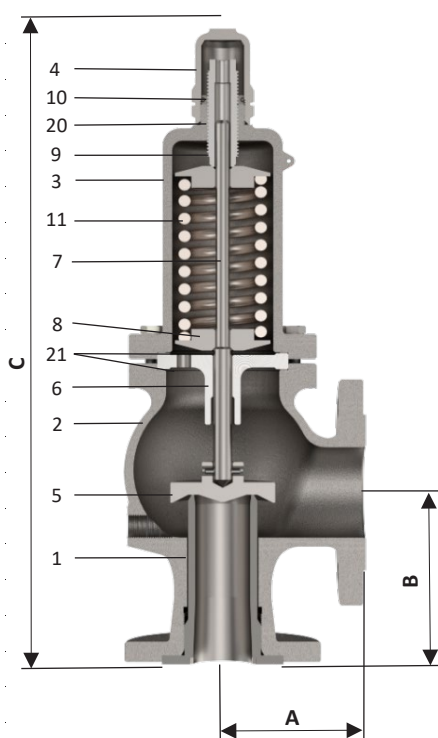
## Description

- Safety and relief valve, angle type, conventional
- Direct spring loaded
- Full lift safety valve
- Nodular Iron, Carbon steel, Stainless steel.
- WC6, LCC, DUPLEX, SUPERDUPLEX (on request)
- Steam, gases, cryogenic fluids, H<sub>2</sub>, vapours and liquids
- Cleaned and degreased for oxygen service
- Flanged EN 1092 PN-16 / 25 / 40 / 63 / 100
- Seat metal- metal, Stellite, Viton and PTFE
- Set pressure range 0,5 to 90 barg
- Tolerance Set pressure  $\pm$  3%
- Overpressure 10%
- European Pressure Equipment Directive PED 2014/68/EU
- CE 0056 Module B
- CE Production Quality Assurance (Module D) ES037955- 1035
- Material test certificate EN 10204 3.1

## Options

- Lifting device
- Sealed packing lever
- Open bonnet
- Soft seat, viton, PTFE.
- Bellows AISI 316TI, Inconel.
- ECTFE powder coating for highly corrosive or ultrapure chemicals

Size Inlet/Outlet	Carbon Steel / Nodular Iron - PN16/25		Stainless Steel A351 CF3M - PN16/25		Carbon Steel - PN40		Stainless Steel A351 CF3M - PN40		Carbon Steel - PN63 & PN100		Stainless Steel A351 CF3M - PN63 & PN100	
	Price £	Price €	Price £	Price €	Price £	Price €	Price £	Price €	Price £	Price €	Price £	Price €
15 x 25	£530.80	€574.80	£1,861.50	€2,015.60	£609.30	€659.80	£1,966.90	€2,129.70	£2,173.80	€2,353.80	£3,627.60	€3,928.00
20 x 25	£552.80	€598.60	£1,937.30	€2,097.80	£638.40	€691.30	£2,047.00	€2,216.50	£2,192.30	€2,373.80	£3,652.10	€3,954.50
25 x 40	£567.50	€614.50	£1,974.00	€2,137.50	£656.50	€710.90	£2,085.80	€2,258.50				
25 x 50									£2,642.30	€2,861.10	£3,928.50	€4,253.80
32 x 50	£694.70	€752.20	£2,392.30	€2,590.40	£798.60	€864.80	£2,527.70	€2,737.00	£3,466.10	€3,753.10	£4,735.70	€5,127.90
40 x 65	£846.40	€916.50	£2,634.50	€2,852.60	£995.10	€1,077.50	£2,783.60	€3,014.10	£3,576.90	€3,873.10	£5,139.30	€5,564.90
50 x 80	£1,051.90	€1,139.00	£3,918.40	€4,242.90	£1,245.80	€1,348.90	£4,142.30	€4,485.30	£4,592.20	€4,972.50	£6,046.80	€6,547.60
65 x 100	£1,563.10	€1,692.50	£4,855.60	€5,257.70	£1,863.50	€2,017.80	£5,130.40	€5,555.20	£5,239.60	€5,673.50	£9,446.90	€10,229.20
80 x 125	£2,147.70	€2,325.60	£7,910.80	€8,565.90	£3,246.20	€3,515.10	£8,358.50	€9,050.70				
100 x 150	£3,011.20	€3,260.50	£12,242.80	€13,256.70	£4,724.60	€5,115.90	£12,935.80	€14,007.10				
125 x 200	£7,154.00	€7,746.40	£14,825.90	€16,053.70	£9,356.20	€10,131.00	£15,665.10	€16,962.40				
150 x 250	£8,324.10	€9,013.50	£19,412.40	€21,020.00								
200 x 300	£15,183.60	€16,441.00	£28,927.90	€31,323.40								
250 x 350	£40,076.40	€43,395.20	£65,076.00	€70,465.10								
300 x 400	£43,614.80	€47,226.60	£69,114.50	€74,838.00								
400 x 500	£59,076.20	€63,968.40	£78,922.00	€85,457.70								



## Materials

	Description	Nodular iron PN 16/25	Carbon steel PN 40/63/100	Stainless steel PN 16 to 100
1	Nozzle	AISI-304	AISI-304	AISI-304
2	Body	EN-JS1030	A.C. 1.0619	1.4409
3	Bonnet	EN-JS1030	A.C. 1.0619	1.4409
4	Cap	A351 CF-8	A351 CF-8	A351 CF-8
5*	Disc	AISI-316L	AISI-316L	AISI-316L
6	Guide	C. steel. zn.	A.C. + 304 SS	AISI-316L
7	Push Road	AISI-420	AISI-420	AISI-316L
8	Spring Button	C. steel. zn.	C. steel. zn.	AISI-303
9	Adjusting Screw	AISI-303	AISI-303	AISI-303
10	Lock Nut	AISI-303	AISI-303	AISI-303
11*	Spring	Carbon steel	Carbon steel	AISI-302
12	Lever	A 351 CF 8	A 351 CF 8	A351 CF-8
17	Release nut	AISI-303	AISI-303	AISI-316
18*	Lever axis	AISI-303	AISI-303	AISI-303
19	Packing lever axis	AISI-303	AISI-303	AISI-303
20*	Gasket cap	NBR+MF	NBR+MF	PTFE
21*	Gasket bonnet	NBR+MF	NBR+MF	PTFE
22*	Gasket pack. lever	Viton	Viton	Viton
27*	Bellow	AISI-316 TI	AISI-316 TI	AISI-316 TI
28*	Soft seat	Viton / PTFE	Viton / PTFE	Viton / PTFE

\*Recommended spare parts

# MODEL 1400 SAFETY RELIEF VALVE

**TOSACA**



SAFETY RELIEF VALVES

## Dimensions

	Orif. (mm)	Area (mm <sup>2</sup> )	PN 16				PN 25				PN 40			
			A (mm)	B (mm)	C (mm)	Weight (kg)	A (mm)	B (mm)	C (mm)	Weight (kg)	A (mm)	B (mm)	C (mm)	Weight (kg)
15 x 25	13	133	95	95	275	10	95	95	275	10	95	95	275	10
20 x 25	13	133	95	95	275	10	95	95	275	10	95	95	275	10
25 x 40	23,8	445	100	105	280	12	100	105	280	12	100	105	280	12
32 x 50	29,5	683	110	115	325	15	110	115	325	15	110	115	325	15
40 x 65	36	1018	115	140	325	19	115	140	325	19	115	140	325	19
50 x 80	46	1662	120	150	460	29	120	150	460	29	120	150	460	29
65 x 100	60	2827	140	170	460	36	140	170	460	36	140	170	460	36
80 x 125	72	4072	160	195	590	58	160	195	590	58	160	195	590	58
100 x 150	90	6362	180	220	630	85	180	220	630	85	180	220	630	85
125 x 200	105	8659	200	250	690	140	200	250	690	140	200	250	690	140
150 x 200	125	12.272	•	•	•	•	•	•	•	•	241	240	695	160
150 x 250	125	12.272	225	285	715	150	225	285	715	150	•	•	•	•
200 x 250	153	18.385	•	•	•	•	•	•	•	•	279	276	815	195
200 x 300	153	18.385	300	290	815	200	•	•	•	•	•	•	•	•
250 x 350	200	31.415	406	305	1.390	750	•	•	•	•	•	•	•	•
300 x 400	228	40.828	406	359	1.432	850	•	•	•	•	•	•	•	•
400 x 500	304	72.950	533	432	1.943	900	•	•	•	•	•	•	•	•

### PN 63

	Orif. (mm)	Area (mm <sup>2</sup> )	A (mm)	B (mm)	C (mm)	Weight (kg)
15 x 25	9,5 /13	71/133	95	95	275	11
20 x 25	9,5 /13	71/133	95	95	275	11
25 x 50	20	314	140	95	315	25
32 x 50	23,8	445	140	95	315	30
40 x 65	26	531	165	124	430	30
50 x 80	32	804	162	154	400	35
65 x 100	48	1.809	140	170	460	66

### PN 100

	Orif. (mm)	Area (mm <sup>2</sup> )	A (mm)	B (mm)	C (mm)	Weight (kg)
15 x 25	9,5 /13	71/133	95	95	275	11
20 x 25	9,5 /13	71/133	95	95	275	11
25 x 50	16	201	140	95	315	25
32 x 50	20	314	140	95	315	30
40 x 65	23,8	445	165	124	430	30
50 x 80	32	804	162	154	400	35
65 x 100	39	1.194	140	170	460	66

