

MODEL 1216F C SAFETY RELIEF VALVE

CLAMP

Description

- Safety and relief valve, angle type, conventional
- Direct spring loaded
- Full lift safety valve
- Stainless steel
- Steam, gases, vapours and liquids
- Clamp- Clamp or Clamp- BSP
- PN 10
- Clamp dimensions according ISO 2852
- Seat metal- metal, Viton and PTFE
- Set pressure range 0,5 to 34,5 barg
- Tolerance Set pressure $\pm 3\%$
- Overpressure 10%
- European Pressure Equipment Directive PED 2014/68/EU
- CE 0056 Module B
- CE Production Quality Assurance (Module D) ES037955- 1035
- Material test certificate EN 10204 3.1



TOSACA

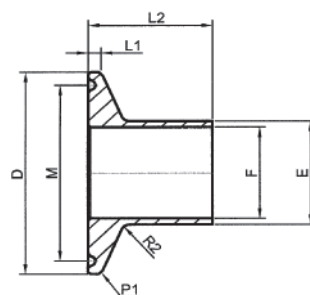
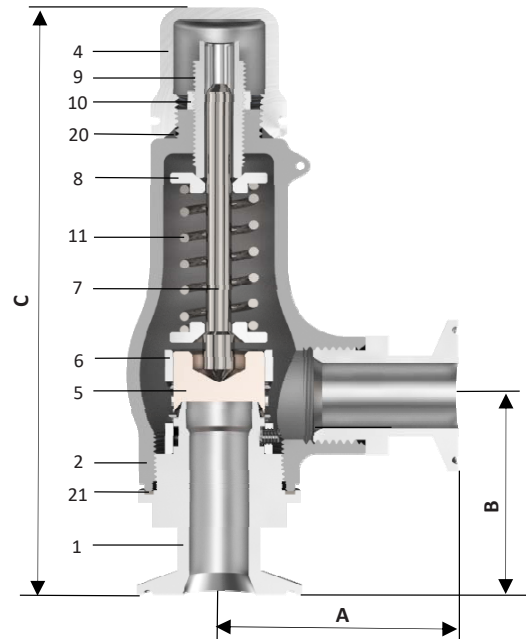
SAFETY RELIEF VALVES

Dimensions (mm)

Inlet	Outlet	Orifice	Area (mm ²)	A	B	C	Weight (kg)	Price £	Price €
15	25	9,5	71	73	65	155	2,4	£655.60	€709.90
20	25	15	176,6	73	65	155	2,4	£655.60	€709.90
25	25	18	254	73	67	155	2,8	£697.20	€754.90
40	40	32	804	90	98	234	8,2	£1,247.50	€1,350.90
15	1" BSP	9.5	71	45	65	155	2	£508.80	€551.00
20	1" BSP	15	176,6	45	65	155	2	£508.80	€551.00
25	1" BSP	18	254	45	67	155	2,2	£550.40	€596.00
40	2" BSP	32	804	62	98	234	8,2	£1,100.80	€1,191.90

Materials

Item	Description	Material
1	Nozzle	A351 CF-3M
2	Body	A351 CF-3M
4	Cap	A351 CF-8
5*	Disc	A351 CF-3M
6	Guide	AISI-316L
7	Push Rod	AISI-316L
8	Spring Button	AISI-303
9	Adjusting Screw	AISI-303
10	Tension Nut	AISI-303
11*	Spring	AISI-302
12	Lever	A351 CF-8
17	Release nut	AISI-316L
18	Lever axis	AISI-303
19	Packing lever axis	AISI-303
20*	Gasket	PTFE
21*	Gasket	PTFE
22	Gasket	Viton
28*	Soft Seat	Viton / PTFE



Clamp ISO 2852

	D	M	E	L1	L2
15	25	19	12,7	2,85	12,7
20	25	19	19	2,85	12,7
1" (25)	50,5	43,525	25,6	2,85	21,5
1 1/2" (40)	50,5	43,538	38,6	2,85	21,5

* Recommended spare parts