

# CAST IRON FLAT BODY GATE VALVE

with rubber coated wedge  
PN16



**MIVAL**

GATE, GLOBE & BUTTERFLY VALVES

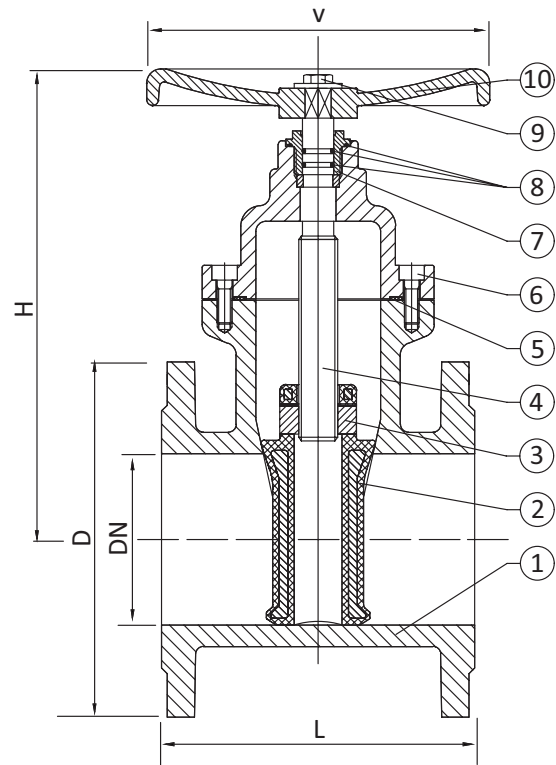
## Working Conditions

With standard gasket  
Temp Range -10°C to 70°C  
Max. Pressure 16 BAR

Article no.	Size	DN	Price £	Price €
MIVEU1108	11/2"	40	£143.20	€150.40
MIVEU1110	2"	50	£153.90	€161.60
MIVEU1112	2 1/2"	65	£195.00	€204.80
MIVEU1114	3"	80	£243.80	€256.00
MIVEU1118	4"	100	£307.80	€323.20
MIVEU1119	5"	125	£414.50	€435.20
MIVEU1120	6"	150	£516.60	€542.40
MIVEU1121	8"	200	£763.40	€801.60
MIVEU1122	10"	250	£1,260.20	€1,323.20
MIVEU1124	12"	300	£1,872.80	€1,966.40
MIVEU1126	14"	350	£2,887.60	€3,032.00
MIVEU1128	16"	400	£3,978.70	€4,177.60

## Materials

1	Body	Nodular Cast Iron EN-GJS-500
2	Wedge	Nodular Cast Iron EN-GJS-500 + EPDM
3	Motherscrew	Brass
4	Stem	AISI 420 Stainless Steel
5	Gasket	EPDM
6	Screw	Carbon steel
7	Bush	Brass
8	O-ring	EPDM
9	Screw	Stainless Steel
10	Handwheel	Nodular Cast Iron EN-GJS-500



## Dimensions (mm)

DN	D	L	H	V	Kv m <sup>3</sup> /h	Weight Kg
40	150	140	184	160	140	9
50	165	150	195	160	190	11.5
65	185	170	222	200	370	14
80	200	180	251	200	540	18
100	220	190	282	200	930	22.5
125	250	200	340	250	1650	30
150	285	210	379	250	2650	39
200	340	230	461	320	5500	60
250	405	250	559	370	8900	95
300	460	270	639	370	13800	130
350	520	290	762	450	15241	195
400	580	310	836	450	19910	252
500	715	350	1135	510	-	-
600	840	390	1310	510	-	-