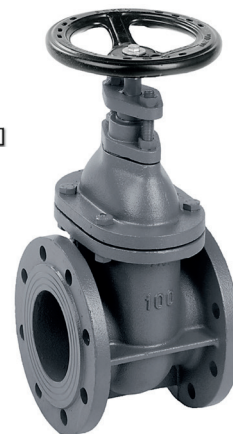


CAST IRON FLAT BODY GATE VALVE

Inside Screw, Brass Seat
PN 10



GATE, GLOBE & BUTTERFLY VALVES

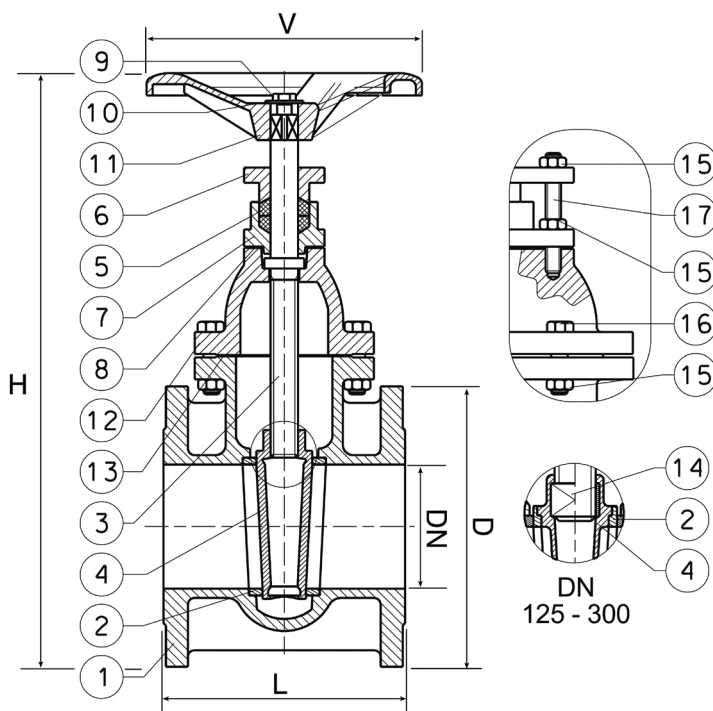
Article no.	Size	DN	Price £	Price €
MIV101608	1 1/2"	40	£298.70	€313.60
MIV101610	2"	50	£345.90	€363.20
MIV101612	2 1/2"	65	£428.20	€449.60
MIV101614	3"	80	£486.10	€510.40
MIV101618	4"	100	£606.50	€636.80
MIV101619	5"	125	£819.80	€860.80
MIV101620	6"	150	£1,022.50	€1,073.60
MIV101621	8"	200	£1,496.40	€1,571.20
MIV101622	10"	250	£2,392.40	€2,512.00
MIV101624	12"	300	£3,081.10	€3,235.20

Working Conditions

With standard gasket
Temp Range -10°C to 80°C
Max. Pressure 10 BAR

Materials

1	Body	EN-GJL-250 Cast iron
2	Seat	Cast brass
3	Stem	Drawn brass
4	Wedge DN40-100	Cast brass
4	Wedge DN125-300	Cast iron & brass
5	Packing	PTFE
6	Gland	EN-GJL-250 Cast iron
7	Stuffing box	EN-GJL-250 Cast iron
8	Gasket	SBR rubber
9	Screw	Zinc plated 8.8 carbon steel
10	Washer	Zinc plated carbon steel
11	Hand wheel	Cast iron
12	Bonnet	EN-GJL-250 Cast iron
13	Gasket	SBR rubber
14	Motherscrew	Cast brass
15	Nut	Carbon steel
16	Screw	8.8 Carbon steel
17	Tie-rod	Carbon steel



Dimensions (mm)

DN	D	L	H	V	Kv m ³ /h	Weight Kg
40	150	140	230	125	140	9
50	165	150	245	150	250	11
65	185	170	290	175	430	15
80	200	180	315	175	790	18
100	220	190	355	200	1250	23
125	250	200	415	200	1960	31
150	285	210	460	225	2790	41
200	340	230	545	225	2880	63
250	395	250	635	250	4306	91
300	445	270	725	300	6380	124