

SG IRON BELLOWS SEAL GLOBE VALVE

Article 64

Nodular Cast Iron Bellows Valve PN16 rated

Article no.	Size	Price £	Price €
MIV6404	1/2"	£234.10	€245.80
MIV6405	3/4"	£271.10	€284.70
MIV6406	1"	£284.00	€298.20
MIV6407	1 1/4"	£338.70	€355.70
MIV6408	1 1/2"	£383.00	€402.10
MIV6410	2"	£452.20	€474.80
MIV6412	2 1/2"	£679.10	€713.00
MIV6414	3"	£775.60	€814.40
MIV6418	4"	£982.40	€1,031.50
MIV6419	5"	£1,485.20	€1,559.50
MIV6420	6"	£1,967.20	€2,065.50
MIV6421	8"	£4,038.90	€4,240.90
MIV6422	10"	£6,352.10	€6,669.70

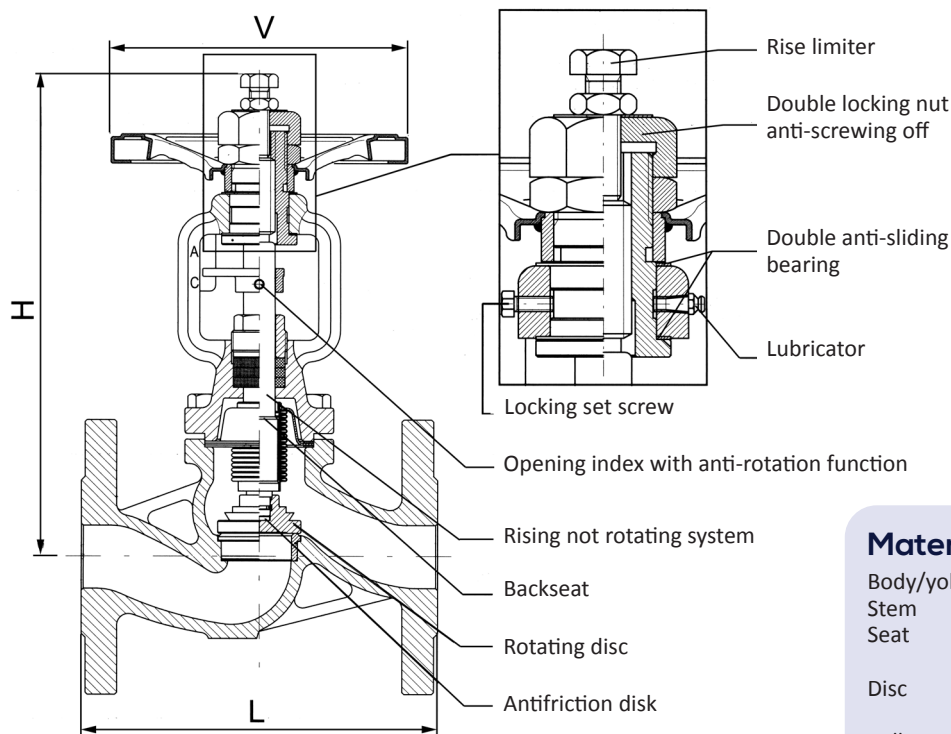
Article 63

Nodular Cast Iron Bellows Valve PN25 rated

Article no.	Size	Price £	Price €
MIV6304	1/2"	£271.10	€284.70
MIV6305	3/4"	£288.80	€303.30
MIV6306	1"	£344.40	€361.60
MIV6307	1 1/4"	£391.80	€411.40
MIV6308	1 1/2"	£437.70	€459.60
MIV6310	2"	£507.70	€533.10
MIV6312	2 1/2"	£786.10	€825.40
MIV6314	3"	£931.70	€978.30
MIV6318	4"	£1,201.20	€1,261.30
MIV6319	5"	£1,681.60	€1,765.60
MIV6320	6"	£2,332.50	€2,449.10
MIV6321	8"	£5,571.70	€5,850.20



MIVAL



Materials

Body/yoke	EN-GJS-400-18-LT
Stem	X20 Cr13
Seat	DN 15 -125: X20 Cr13
	DN 150 - 300: St52-3 + X5CrNi 18 10
Disc	DN 15 -100: X20 Cr13
	DN 125 - 300: C22.8 + X5CrNi 18 10
Bellows	X6 CrNiTi 18 10
Gaskets	Graphite

Dimensions (mm)

DN	15	20	25	32	40	50	65	80	100	125	150	200	250	300
L	130	150	160	180	200	230	290	310	350	400	480	600	730	850
H	217	219	230	233	258	260	353	358	380	391	469	582	683	712
V	125	125	125	125	150	150	200	200	250	300	350	400	500	600
Kg	4	4.8	5.8	7.2	10	12	21	24	31	46	60	113	180	241
Kv	4.59	7.26	11.5	16.8	26.7	42.6	77.9	111	177	262	364	664	1044	1493