

# SERIES 616 BALANCING VALVE

1/2" - 2" BSP Threaded  
PN25

The balancing valve series 616 has a manual control handwheel with micrometric indicator, complete with fast plug pressure, threaded connection GAS F/F (ISO 228/1).

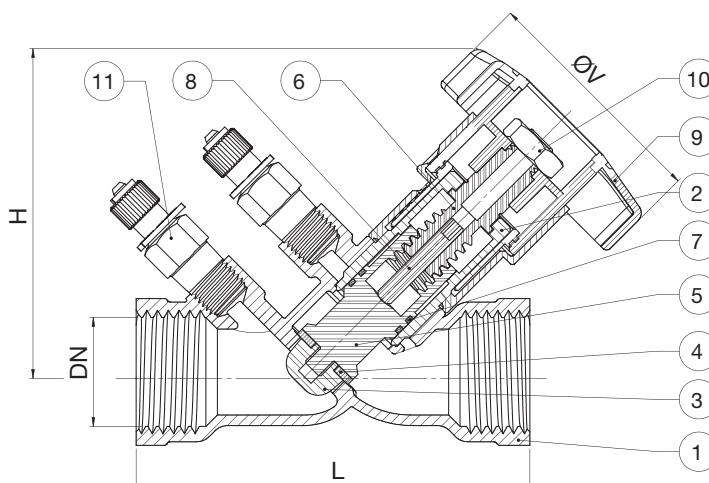
Article no.	Size	DN	Price £	Price €
MIV61604	1/2"	15	£83.80	€88.00
MIV61605	3/4"	20	£86.90	€91.20
MIV61606	1"	25	£97.50	€102.40
MIV61607	1 1/4"	32	£135.60	€142.40
MIV61608	1 1/2"	40	£166.10	€174.40
MIV60610	2"	50	£224.00	€235.20

### Working Conditions

Temp Range     -10°C to +130°C  
Max. Pressure    25 BAR

### Materials

- |                       |                  |
|-----------------------|------------------|
| 1 Body                | CB491K Bronze    |
| 2 Bonnet              | CW602N DZR Brass |
| 3 Disc                | CW602N DZR Brass |
| 4 Gasket Sealing      | PTFE             |
| 5 Stem                | CW602N DZR Brass |
| 6 Disc Stem           | CW602N DZR Brass |
| 7 O-Ring Stem         | EPDM Perox       |
| 8 Disc Stop           | Steel            |
| 9 Handwheel           | ABS              |
| 10 Nut                | Steel            |
| 11 Fast Plug Pressure | CW602N DZR Brass |



### Dimensions (mm)

DN	15	20	25	32	40	50
L	90	102	110	121	142	161
H	90	90	90	116	116	116
V	70	70	70	70	70	70
Kg	0.5	0.6	0.7	1	1.4	1.9