



BELLOWS SEAL GLOBE VALVE

BS4504 – PN40 Flanged

Article 346 – Carbon Steel

Size	Article no.	Max. Pr	Price £	Price €
1/2"	MIV34604	40 bar	£471.50	€495.10
3/4"	MIV34605	40 bar	£510.90	€536.40
1"	MIV34606	40 bar	£568.00	€596.40
1 1/4"	MIV34607	40 bar	£618.70	€649.70
1 1/2"	MIV34608	40 bar	£720.10	€756.10
2"	MIV34610	40 bar	£808.60	€849.00
2 1/2"	MIV34612	40 bar	£1,264.80	€1,328.00
3"	MIV34614	40 bar	£1,589.80	€1,669.30
4"	MIV34618	40 bar	£2,108.80	€2,214.20
5"	MIV34619	30 bar	£3,038.90	€3,190.80
6"	MIV34620	21 bar	£3,931.10	€4,127.70
8"	MIV34621	14 bar	£8,000.70	€8,400.70
10"	MIV34622	9 bar	£12,937.50	€13,584.40

Article 347 – Stainless Steel

Article no.	Max. Pr	Price £	Price €
MIV34704	40 bar	£922.80	€969.00
MIV34705	40 bar	£1,071.70	€1,125.30
MIV34706	40 bar	£1,185.10	€1,244.40
MIV34707	40 bar	£1,301.80	€1,366.90
MIV34708	40 bar	£1,605.10	€1,685.40
MIV34710	40 bar	£1,743.50	€1,830.70
MIV34712	40 bar	£2,581.10	€2,710.10
MIV34714	40 bar	£2,841.70	€2,983.80
MIV34718	40 bar	£3,948.80	€4,146.30
MIV34719	30 bar	£5,415.60	€5,686.30
MIV34720	21 bar	£7,036.80	€7,388.60
MIV34721	14 bar	£12,621.30	€13,252.40

THE VALVES BELOW HAVE PRESSURE BALANCE DISC FOR OPERATION AT FULL PRESSURE

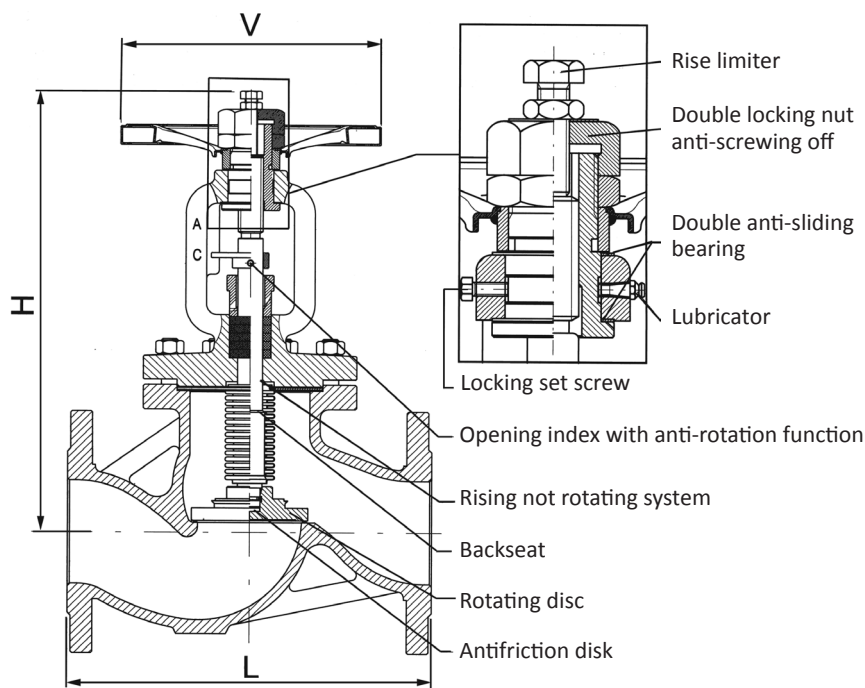
5"	MIV34619EQ	30 bar	£3,915.00	€4,110.80	MIV34719EQ	40 bar	£7,032.00	€7,383.60
6"	MIV34620EQ	40 bar	£4,892.60	€5,137.20	MIV34720EQ	40 bar	£8,788.30	€9,227.80
8"	MIV34621EQ	40 bar	£9,219.60	€9,680.60	MIV34721EQ	40 bar	£14,681.00	€15,415.10
10"	MIV34622EQ	40 bar	£14,514.50	€15,240.20				

Materials

Body	DN 15 -50: C 22.8 DN 65 - 250: Gp-240 GH+N
Yoke	DN 15 -125: C 22.8 DN 150 - 250: Gp-240 GH+N
Stem	X20 Cr13
Seat	X5 CrNi 18 10
Disc	DN 15 -100: X20 Cr13 DN 125 - 150: C22.8 + X5CrNi 18 10
Bellows	X6 CrNi 18 10
Gaskets	Graphite

It is necessary to use the balanced disc when the working pressure is over the following values

DN	125	150	200	250
Pressure (BAR)	30	21	14	9



Dimensions (mm)

DN	15	20	25	32	40	50	65	80	100	125	150	200	250
L	130	150	160	180	200	230	290	310	350	400	480	600	730
H	230	233	240	248	277	287	373	377	410	458	516	633	785
V	125	125	125	125	150	150	200	200	250	300	350	400	500
Kg	4.8	5.4	6.8	9.3	12.9	15.6	27	31	45	70	99	188	275
Kv	4.77	7.55	12.2	17.5	27.8	44.3	81	115.4	184.1	272.5	382.7	960.6	1086