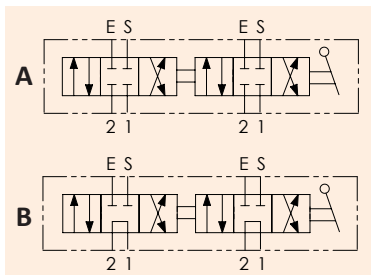




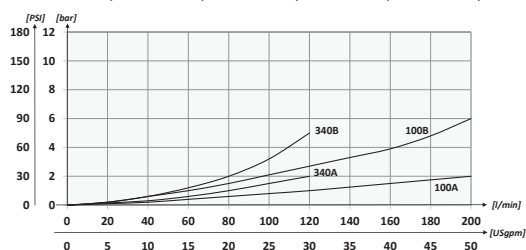
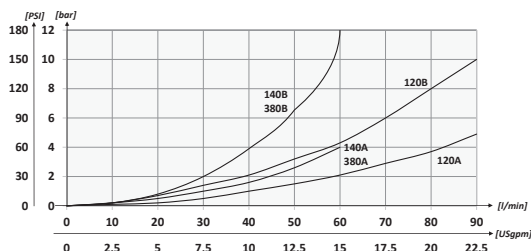
IDF8 WAY FLOW DIVERTERS

300 – 350 BAR Rated

Article no.	Circuit	Size BSP	Max Pressure BAR	Max Flow l/min	Price £	Price €
IDF8140A	Circuit type A	1/4"	350	40	£197.60	€203.60
IDF8380A		3/8"	350	60+60	£197.60	€203.60
IDF8120A		1/2"	350	90+90	£207.00	€213.30
IDF8340A		3/4"	350	120+120	£290.10	€298.90
IDF8100A	Circuit type B	1"	300	200+200	£317.40	€327.00
IDF8140B		1/4"	350	40	£187.10	€192.80
IDF8380B		3/8"	350	60+60	£187.10	€192.80
IDF8120B		1/2"	350	90+90	£197.60	€203.60
IDF8340B		3/4"	350	120+120	£280.50	€289.00
IDF8100B		1"	300	200+200	£302.60	€311.80

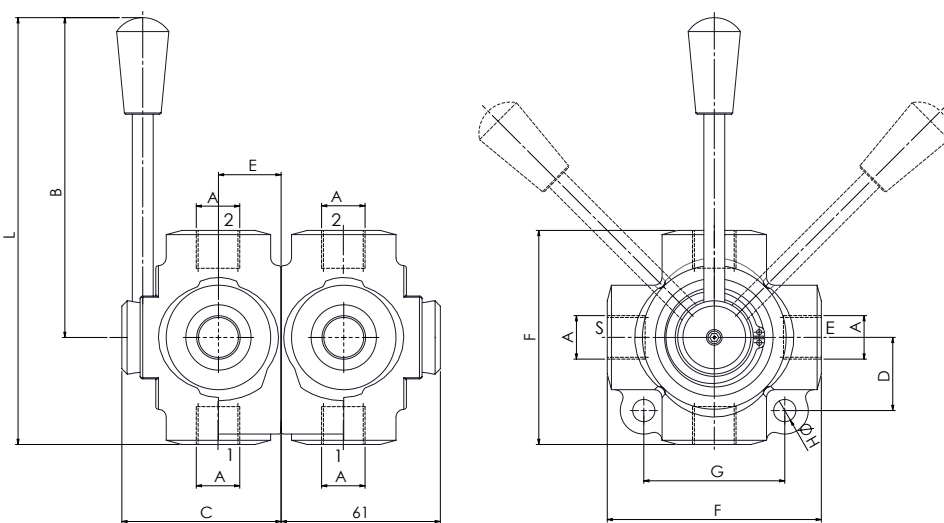


Pressure Drop Graph



Technical data

Mineral oil ISO 6743/4 (DIN 51524)
 Oil viscosity 15-250 mm²/s (15 to 250 cSt)
 Max contamination index ISO 4406:1999 Classe 19/17/14
 Oil temperature -20°C +80°C -4°F + 176°F
 Ambient temperature -20°C +50°C -4°F + 122°F
 Max leakage 9cc/min @ 40°C 2900 PSI (200 bar)
 It is necessary a filter use to protect the valve (advised filtration 15 µm)



Dimensions (mm)

Code	A	B	C	D	E	F	G	H	L	Weight kg
IDF8140	BSPP 1/4	115	63	28	24	80	54	8.5	155	2.70
IDF8380	BSPP 3/8	115	63	28	24	80	54	8.5	155	2.70
IDF8120	BSPP 1/2	115	63	28	24	80	74	8.5	155	2.52
IDF8340	BSPP 3/4	115	63	28	24	80	74	10.5	162	5.10
IDF8100	BSPP 1	115	77	38	31	94	74	10.5	162	4.00