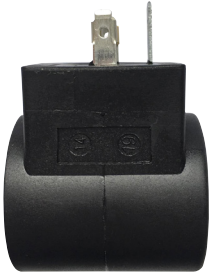


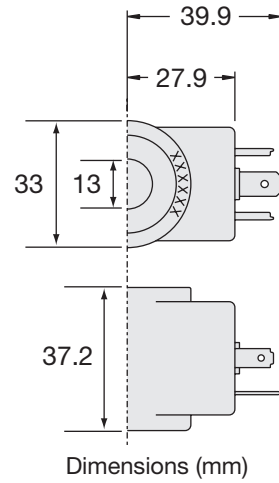
STANDARD COILS & PROPORTIONAL VALVE COILS

SERIES 08, 80, 88, 98 COIL



Voltage	Coil Weight	Article no.	Price £	Price €
12V DC	110g	6306012	£40.30	€48.30
24V DC	110g	6306024	£40.30	€48.30
*115V AC	110g	6316115	£65.20	€78.20
*230V AC	110g	6316230	£65.25	€78.20

* Rectified



G

**DIN 43650
Connector**

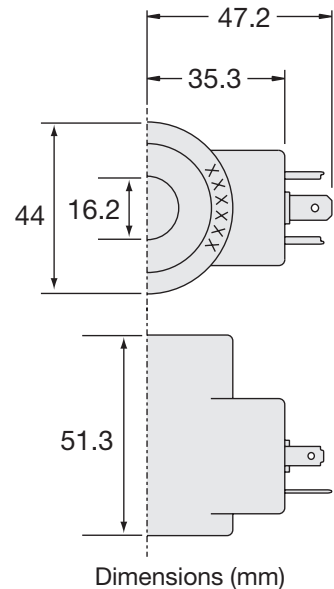
Pins 1 and 2 are not polarity-sensitive.
Ground pin is not used.

SERIES 10, 12, 16, 38, 58 COIL



Voltage	Coil Weight	Article no.	Price £	Price €
12V DC	270g	6356012	£47.30	€56.70
24V DC	270g	6356024	£47.30	€56.70
*115V AC	270g	6366115	£71.85	€86.10
*230V AC	270g	6366230	£71.85	€86.10

* Rectified



G

**DIN 43650
Connector**

Pins 1 and 2 are not polarity-sensitive.
Ground pin is not used.