

# FR10-33

## Flow Regulator, Pressure Compensated 207 BAR Rated

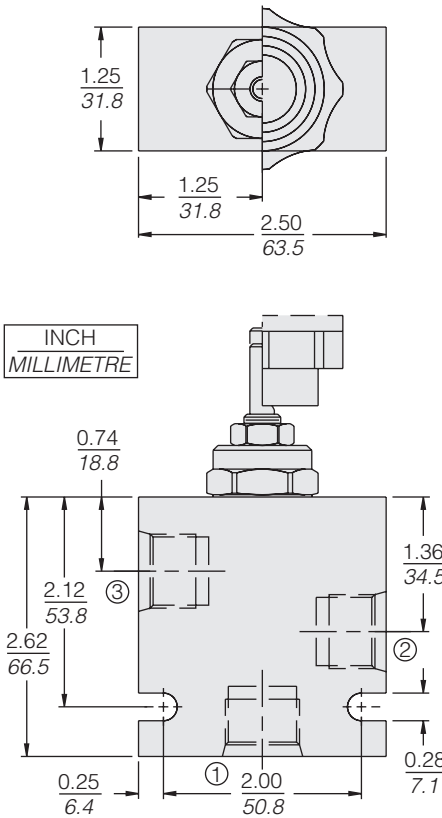
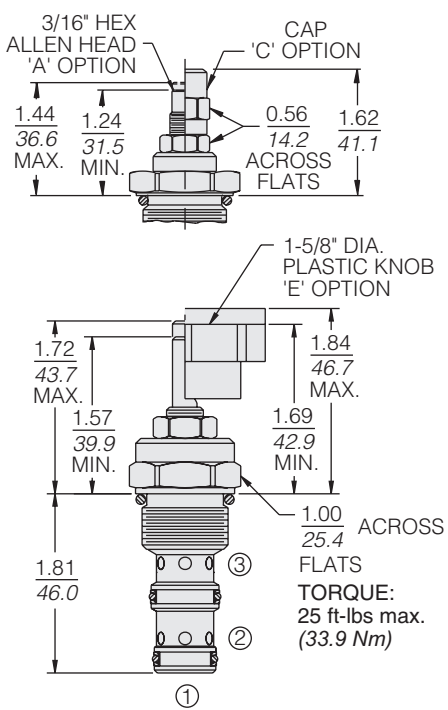
A screw-in, cartridge-style, adjustable orifice, pressure-compensated, manually operated, bypass-type hydraulic flow regulating valve. It can be used as a priority-type flow regulator or a restrictive-type 2-way flow regulator when the bypass port (port ②) is blocked.

Porting	Hydraforce code	Article no.	Price £	Price €
Cartridge Version	FR10-33A-0-N	FR1033AC	£119.00	€142.80
INLINE 1/4" BSP	FR10-33A-2B-N	FR1033A2B	£207.80	€249.40
INLINE 3/8" BSP	FR10-33A-3B-N	FR1033A3B	£207.80	€249.40

with nitril seals / Viton on request

- Standard** - with 3/16" HEX ALLEN HEAD (A)  
**On request** - Option (A) with cover cap (C)  
 Top plastic knob

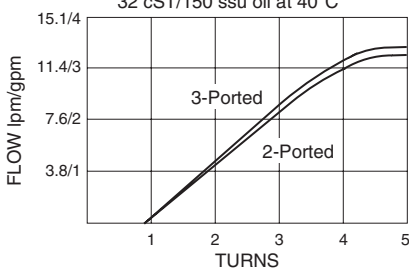
### Dimensions



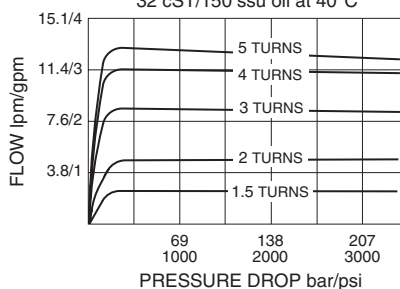
### Performance

Regulated Flow vs. Turns  
103 bar/1500 psi at Port ③

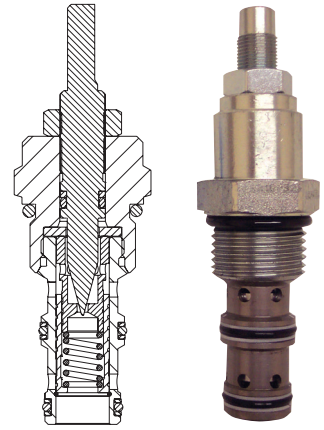
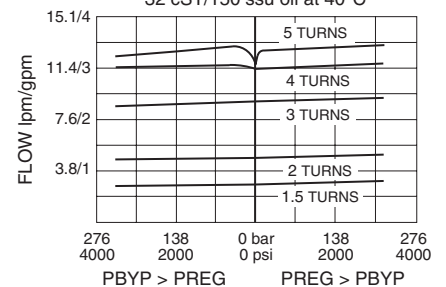
2-Ported: at 123 bar/1800 psi inlet pressure  
 3-Ported: at 19 lpm/5 gpm inlet flow  
 32 cST/150 ssu oil at 40°C



2-Ported  
 Regulated Flow vs. Pressure Drop  
 at 240 bar/3500 psi Inlet  
 32 cST/150 ssu oil at 40°C



3-Ported  
 Regulated Flow vs. Load  
 at 18.9 lpm/5 gpm Inlet  
 32 cST/150 ssu oil at 40°C



### Materials

#### Cartridge:

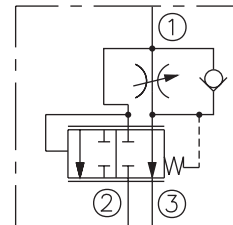
Weight: 0.30 kg. (0.68 lbs.)  
 Steel with hardened work surfaces.  
 Zinc-plated exposed surfaces.  
 Buna N O-rings and polyester elastomer back-ups standard.

#### Standard Ported Body:

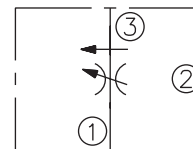
Weight: 0.36 kg. (0.80 lbs.)  
 Anodized highstrength  
 6061 T6 aluminum alloy,  
 rated to 207 bar (3000 psi).  
 Ductile iron bodies available;  
 dimensions may differ.

### Symbols

#### USASI/ISO:



#### 2-Ported:



#### 3-Ported:

