



WORCESTER 44 SERIES 3-PIECE BALL VALVE

Carbon Steel / Stainless Steel - BSPT - PTFE Seat & Seals
69 BAR Rated

Almost 40 years ago, Flowserve Worcester Controls' original 3-piece valve was responsible for the development of the UK ball valve market. The Series 44 rapidly established itself as the industry standard for quality, reliability and long service.

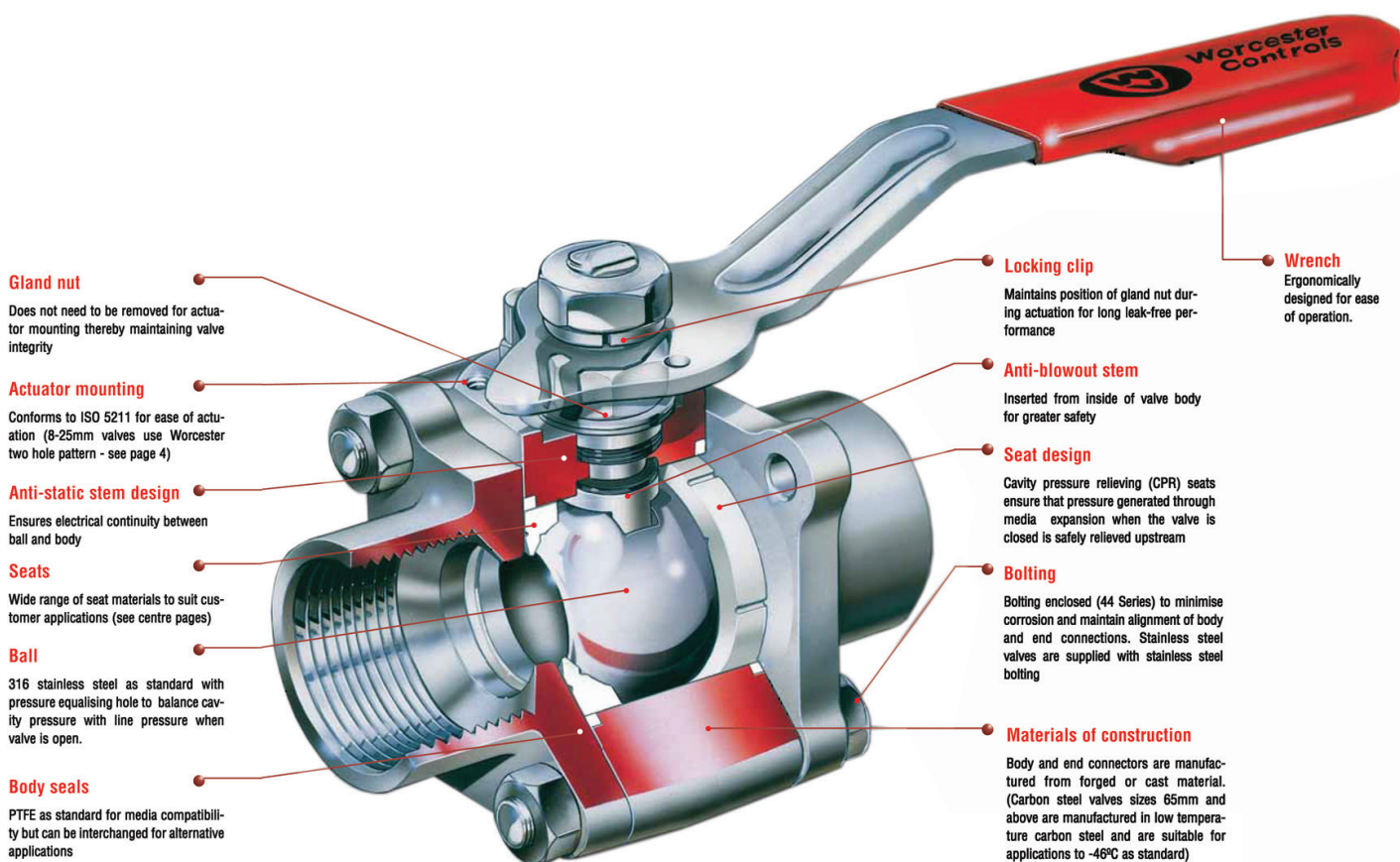
Worcester has developed and improved the Series 44 over the years to maintain its position as the 8-50mm valve design which others strive to equal.

CARBON STEEL

Article no.	Size	Price £	Price €
447595	1/4"	OR	OR
112337	3/8"	OR	OR
411062	1/2"	£151.50	€181.80
444234	3/4"	£176.00	€211.20
443934	1"	£226.70	€272.10
447396	1 1/4"	£274.90	€329.80
447397	1 1/2"	£342.10	€410.50
4455611	2"	£395.00	€474.00

STAINLESS STEEL

Article no.	Size	Price £	Price €
A44S02	1/4"	£244.70	€293.60
A44S03	3/8"	£244.70	€293.60
A44S04	1/2"	£273.10	€327.70
A44S05	3/4"	£281.10	€337.40
A44S06	1"	£345.70	€414.80
A44S07	1 1/4"	£462.90	€555.50
A44S08	1 1/2"	£617.20	€740.60
A44S10	2"	£684.90	€821.90



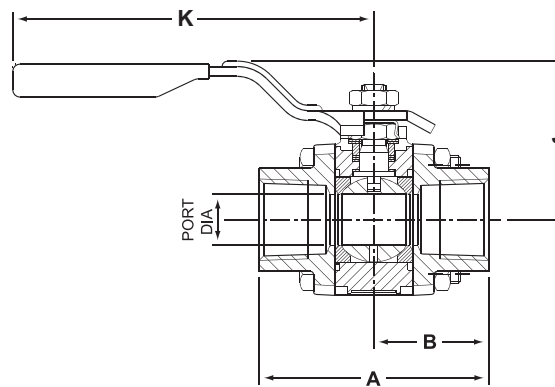
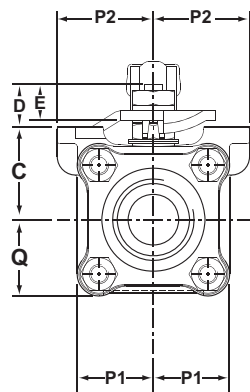
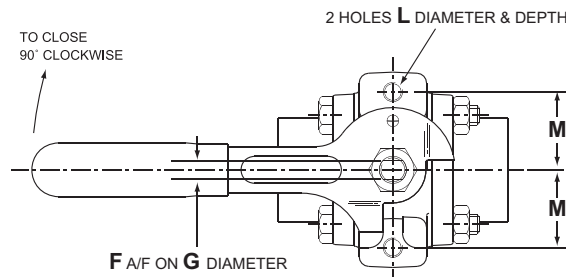
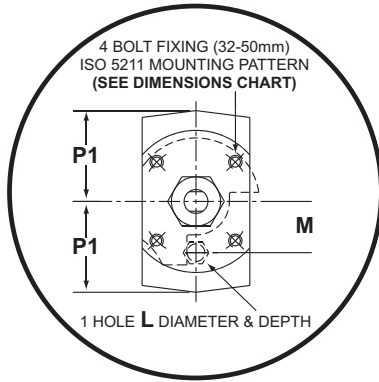
WORCESTER 44 SERIES 3-PIECE BALL VALVE

Carbon Steel / Stainless Steel - BSPT - PTFE Seat & Seals
69 BAR Rated



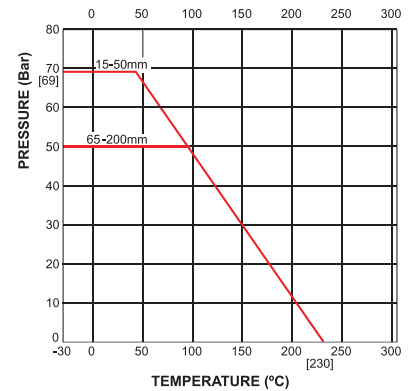
FLOWSERVE

Dimensions



VIRGIN PTFE (T)

Virgin PTFE is the most common sealing material and is suitable for almost all media as it has excellent chemical resistance.



Valve Size	Port Dia min	A	B	C	D	E	Stem		J	K	L Thread & Depth	M	P1	P2	Q	Mounting Platform (ISO 5211)			kg
							F A/F	G Thread								ISO Size	Mounting Holes	Platform Recess	
15	10.9	66.25	32.69	26.7	11.68	10.69	5.54	3/8"-24	57.9	136	M6 x 1.0p 9.5 MIN.	24	23.8	30.4	23.8	-	-	-	0.7
		64.52					5.46	UNF											
20	14.0	71.81	35.48	29.1	11.68	10.69	5.54	3/8"-24	60.3	136	M6 x 1.0p 9.5 MIN.	27	27.2	33.4	27.2	-	-	-	0.9
		70.09					5.46	UNF											
25	20.4	94.55	46.84	38.1	17.94	15.19	7.54	7/16"-	64.8	149	M8 x 1.25p 9.7 MIN.	31.75	32.7	40.5	32.7	-	-	-	1.6
		92.82					7.47	20 UNF											
32	25.1	106.90	53.02	37.10	23.74	15.19	7.54	7/16"-	69.6	149	M5 x 0.8p 6.0 MIN.	19.5	36.3	-	36.3	F04	4 OFF M5 x 0.8p X 7.5 DEEP MIN. ON 42.0 P.C.D.	Ø 30.15 / 30.02 x 4.29 / 3.52 DEEP	2.2
		105.17					7.47	20 UNF											
40	31.3	115.41	57.28	44.00	29.55	18.39	8.71	9/16"-	77.9	181	M6 x 1.0p 7.5 MIN.	23	42.3	-	42.3	F05	4 OFF M6 x 1.0p X 8.7 DEEP MIN. ON 50.0 P.C.D.	Ø 35.15 / 35.02 x 4.01 / 3.26 DEEP	3.2
		113.69					8.64	18 UNF											
50	37.7	127.94	63.54	48.75	29.55	18.39	8.71	9/16"-	82.6	181	M6 x 1.0p 8.7 MIN.	23	47.4	-	47.4	F05	4 OFF M6 x 1.0p X 8.7 DEEP MIN. ON 50.0 P.C.D.	Ø 35.15 / 35.02 x 4.01 / 3.26 DEEP	4.3
		126.21					8.64	18 UNF											