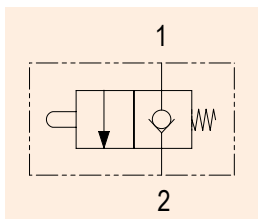


FCM END OF STROKE VALVES

300 – 350 BAR Rated

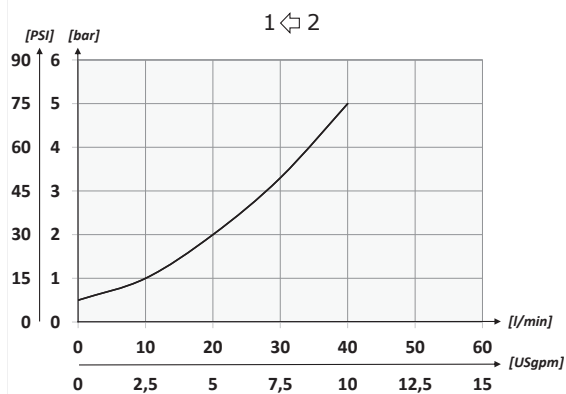
Article no.	A	Price £	Price €
FCM140	BSPP 1/4	£45.80	€47.20
FCM380	BSPP 3/8	£45.80	€47.20
FCM120	BSPP 1/2	£63.90	€65.90



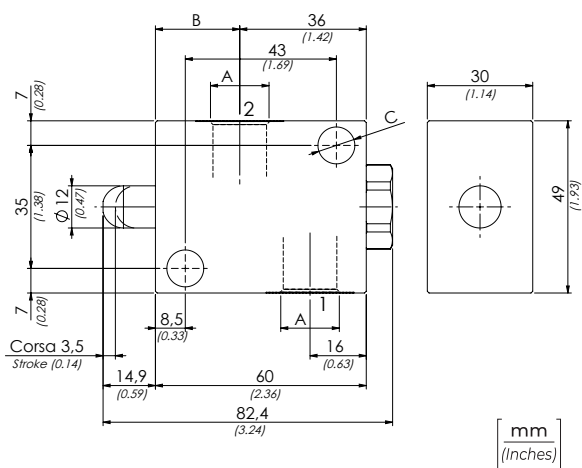
Technical data

Mineral oil	ISO 6743/4 (DIN 51524)
Oil viscosity	15-250 mm ² /s (15 to 250 cSt)
Max contamination index	ISO 4406:1999 Classe 19/17/14
Oil temperature	-20°C +80°C -4°F + 176°F
Ambient temperature	-20°C +50°C -4°F + 122°F
It is necessary a filter use to protect the valve (advised filtration 15 µm)	

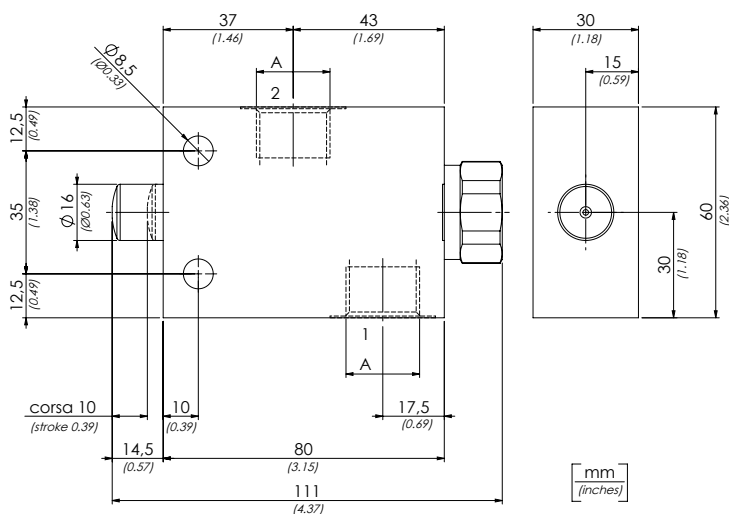
Pressure Drop Graphs



Dimensions - FCM140/FCM380



Dimensions - FCM120



Code	A	B	C	Max Flow l/min	Max Pressure BAR	Approx. Weight kg
FCM140	BSPP 1/4	26.5	8.5	40	350	0.53
FCM380	BSPP 3/8	24	10.5	40	350	0.50
FCM120	BSPP 1/2	/	8.5	60	300	1.01