

FC10-20

Flow Control
207 BAR Rated

A screw-in, cartridge-style, variable orifice, hydraulic flow control valve with reverse flow check.

Porting	Hydraforce code	Article no.	Price £	Price €
Cartridge Version	FC10-20A-0-N	FC1020AC	£63.40	€76.10
INLINE 1/4" BSP	FC10-20A-2B-N	FC1020A2B	£139.60	€167.50
INLINE 3/8" BSP	FC10-20A-3B-N	FC1020A3B	£136.10	€163.30
INLINE 1/2" BSP	FC10-20A-4B-N	FC1020A4B	£124.70	€149.60

with nitril seals / Viton on request

Materials

Cartridge:

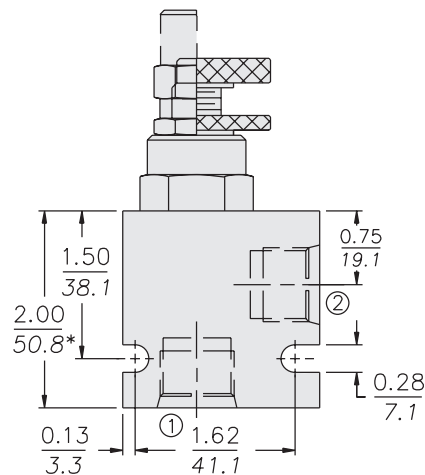
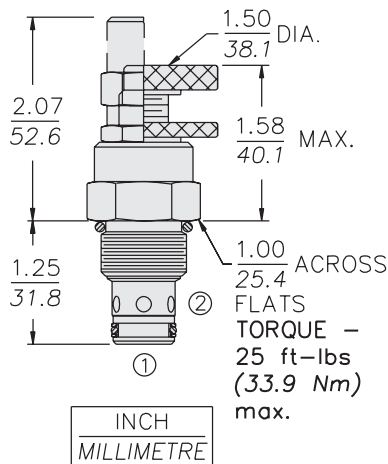
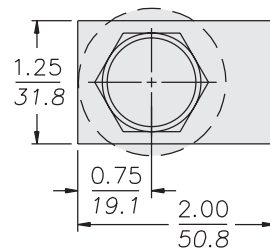
Weight: 0.17 kg. (0.37 lbs.)
Steel with hardened work surfaces.
Zinc-plated exposed surfaces.
Buna N O-rings and polyester elastomer back-ups standard.
Anodized aluminum knobs.

Standard Ported Body:

Weight: 0.16 kg. (0.35 lbs.)
Anodized highstrength 6061 T6 aluminum alloy, rated to 207 bar (3000 psi).
Ductile iron bodies available; dimensions may differ.

- Standard** - with 1/4" HEX ALLEN HEAD (A)
On request - 1 1/2" Dia Alum Knob
Option (A) with cover cap (C)
Top knob with locknut
Top knob only
Lockwire holes (with option (C))

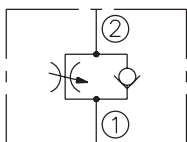
Dimensions



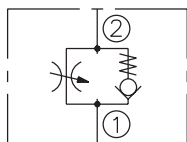
* BSP BODY - 55.9

Symbols

USASI:



ISO:



Performance

