

EP16-S35

Piloted Spool-Type Logic Element
207 BAR Rated

A spool-type, screw-in, cartridge-style, hydraulic directional element, with multifunction potential when used with other directional, pressure, or flow control devices.

| Porting | Hydraforce code | Article no. | Spring Options | Price £ | Price € |
|-------------------|-----------------|-------------|--------------------------|---------------|----------------|
| | | | * suffix with | | |
| | | | 10 = 0.7 BAR (10 PSI) | | |
| | | | 20 = 1.4 BAR (20 PSI) | | |
| | | | 40 = 2.8 BAR (40 PSI) | | |
| Cartridge Version | EP16-S35-0-N-* | EP16S350C* | 70 = 4.8 BAR (70 PSI) | £88.40 | €106.00 |
| | | | 90 = 6.2 BAR (90 PSI) | | |
| | | | 110 = 7.6 BAR (110 PSI) | | |
| | | | 160 = 11 BAR (160 PSI) | | |
| | | | 240 = 16.5 BAR (240 PSI) | | |

with nitril seals / Viton on request

Materials

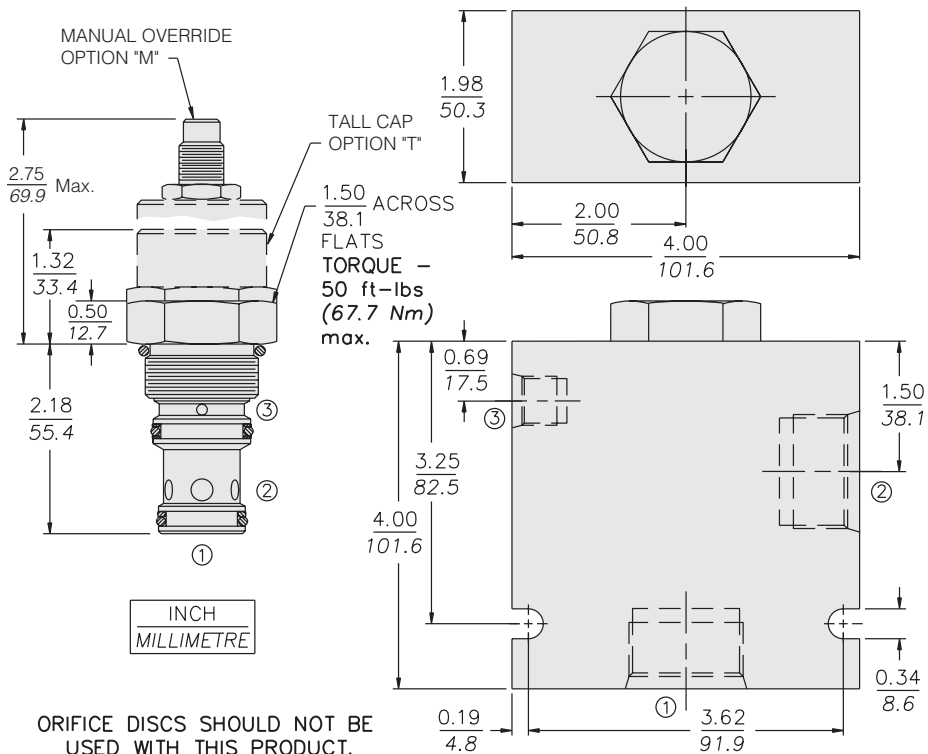
Cartridge:

Weight: 0.27 kg. (0.60 lbs.)
 Steel with hardened work surfaces.
 Zinc-plated exposed surfaces.
 Buna N O-rings and polyester elastomer back-ups standard.

Standard Ported Body:

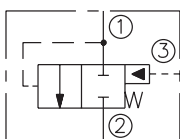
Weight: 1.50 kg. (3.3 lbs.)
 Anodized highstrength 6061 T6 aluminum alloy, rated to 207 bar (3000 psi).
 Ductile iron bodies available; dimensions may differ.

Dimensions

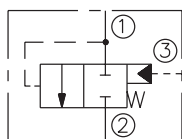


Symbols

USASI:



ISO:



Performance

