

EC10-32

Pressure Compensator 207 BAR Rated

A screw-in, cartridge-style, load sense, flow-on-demand pressure-compensator.

Porting	Hydraforce code	Article no.	Spring Options	Price £	Price €
Cartridge Version	EC10-32-0-N-*	EC10320C*		£88.40	€106.00
INLINE 1/4" BSP	EC10-32-2B-N*	EC10322B*	* suffix with 80 = 5.52 BAR (80 PSI) 150 = 10.3 BAR (150 PSI)	£177.20	€212.60
INLINE 3/8" BSP	EC10-32-3B-N*	EC10323B*		£170.60	€204.80

with nitril seals / Viton on request

Materials

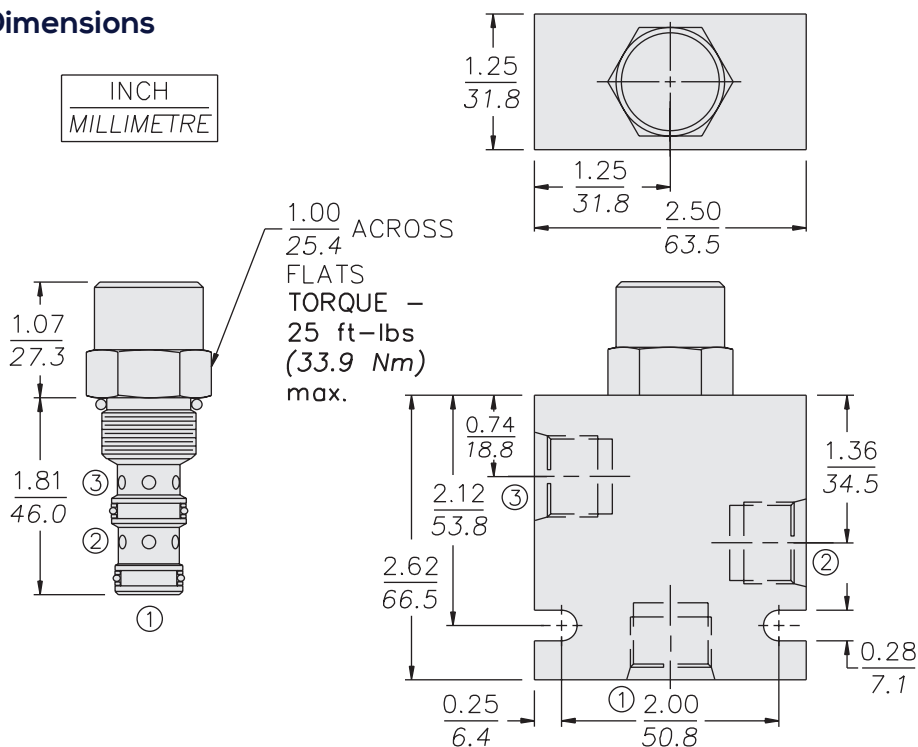
Cartridge:

Weight: 0.11 kg. (0.25 lbs.)
Steel with hardened work surfaces.
Zinc-plated exposed surfaces.
Buna N O-rings and polyester elastomer back-ups standard.

Standard Ported Body:

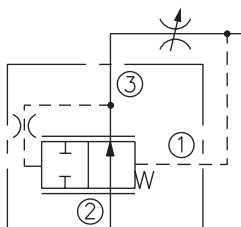
Weight: 0.36 kg. (0.80 lbs.)
Anodized highstrength 6061 T6 aluminum alloy, rated to 207 bar (3000 psi).
Ductile iron bodies available; dimensions may differ.

Dimensions



Symbols

USASI/ISO:



Performance

Flow Maintenance Characteristic
150 psi Spring
32 cSt/150 ssu oil at 40°C

