

# DDFA3-N HIGH PRESSURE 3 WAY FLOW DIVERTERS

500 BAR Rated

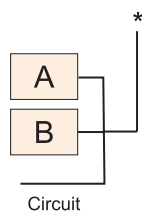
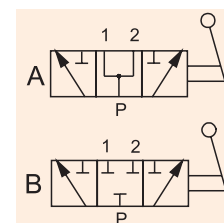
DDFA3 high pressure 3 way flow diverters are employed to reverse the oil flow



**OLEWEB**  
Valves and solutions

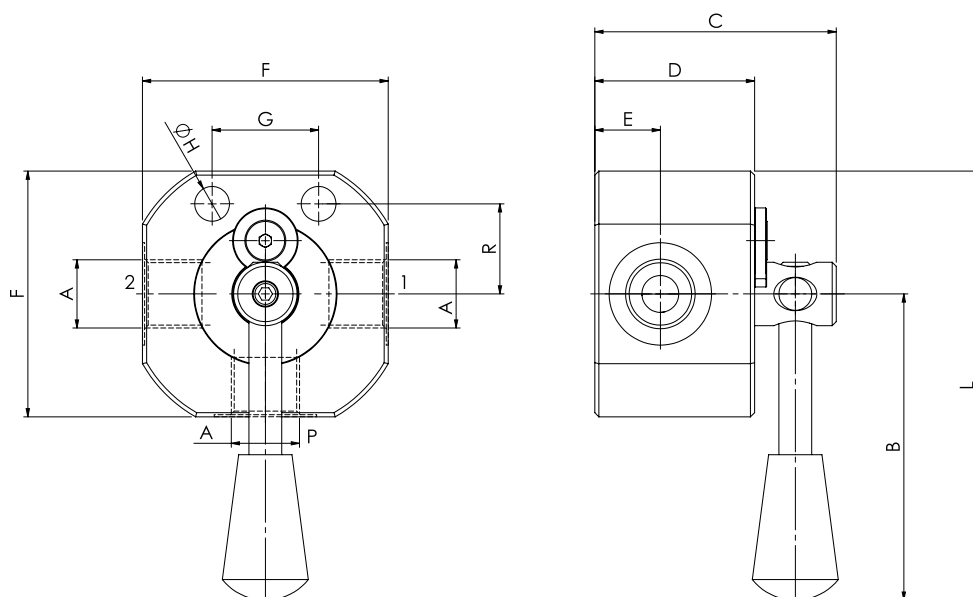
HYDRAULIC VALVES

Article no.	Size BSP	Max Pressure BAR	Max Flow l/min	Price £	Price €
DDFA3140*	1/4"	500	40	£69.80	€71.90
DDFA3380*	3/8"	500	40	£69.80	€71.90
DDFA3120*	1/2"	500	60	£69.80	€71.90
DDFA3340*	3/4"	500	100	£91.80	€94.60
DDFA3100*	1"	500	180	£103.90	€107.10



## Technical data

Mineral oil	ISO 6743/4 (DIN 51524)
Oil viscosity	15-250 mm <sup>2</sup> /s (15 to 250 cSt)
Max contamination index	ISO 4406:1999 Classe 19/17/14
Oil temperature -	20°C +80°C -4°F + 176°F
Ambient temperature	-20°C +50°C -4°F + 122°F
Max leakage	9cc/min @ 40° C 200 bar(2900 PSI)
It is necessary a filter use to protect the valve (advised filtration 15 µm)	



## Dimensions (mm)

Code	A	B	C	D	E	F	G	H	L	R	Weight kg
DDFA3140	BSPP 1/4	80	59	39	16	60	26	8.5	110	22	0.97
DDFA3380	BSPP 3/8	80	59	39	16	60	26	8.5	110	22	0.94
DDFA3120	BSPP 1/2	80	59	39	16	60	26	8.5	110	22	0.90
DDFA3340	BSPP 3/4	102	75.7	54	23.5	80	32	11	142	26	2.24
DDFA3100	BSPP 1	102	75.7	54	23.5	85	32	11	145	31.5	2.33

## Pressure Drop Graph

