

# CR10-28

Relief, Bi-Directional, 207 BAR Rated

A screw-in, cartridge-style, direct-acting, differential area, poppet-type, bi-directional relief valve.

Porting	Hydraforce code	Article no.	Spring Options	Price £	Price €
Cartridge Version	CR10-28A-0-N*	CR1028AC*		£182.00	€218.40
INLINE 3/8" BSP	CR10-28A-3B-N*	CR1028A3B*	* suffix with 24 = 14 TO 168 BAR 30 = 160 TO 210 BAR	£254.60	€305.60
INLINE 1/2" BSP	CR10-28A-4B-N*	CR1028A4B*		£243.30	€291.90

with nitril seals / Viton on request

## Materials

### Cartridge:

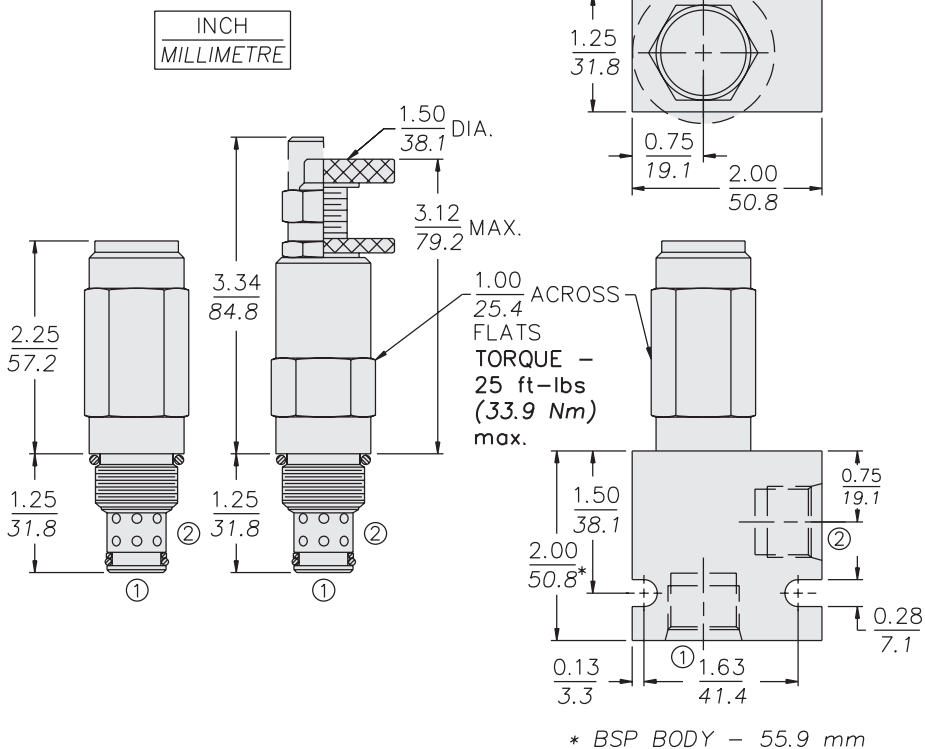
Weight: 0.22 kg. (0.5 lbs.)  
Steel with hardened work surfaces.  
Zinc-plated exposed surfaces.  
Buna N O-rings and TFE backup standard.  
Anodized aluminum knobs.

### Standard Ported Body:

Weight: 0.16 kg. (0.35 lbs.)  
Anodized highstrength 6061 T6 aluminum alloy, rated to 207 bar (3000 psi).  
Ductile iron bodies available; dimensions may differ.

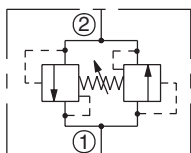
- Standard** - with 1/4" HEX ALLEN HEAD 'A'
- On request** - 1 1/2" dia alum knob 'B'  
Option 'A' with cover cap 'C'  
Factory Set - Non Adjustable 'F'  
Factory Set - Hidden Adjustment 'H'  
Lockwire Holes 'L'

## Dimensions



## Symbols

### USASI/ISO:



## Performance

