

# Aluminium Bronze Ball Valve - 04443 Series

**PN40**

**Full bore**

- Female x Female
- Blow-out proof stem
- Adjustable packing

**FE CONTI**

**BRASS & BRONZE BALL VALVES**

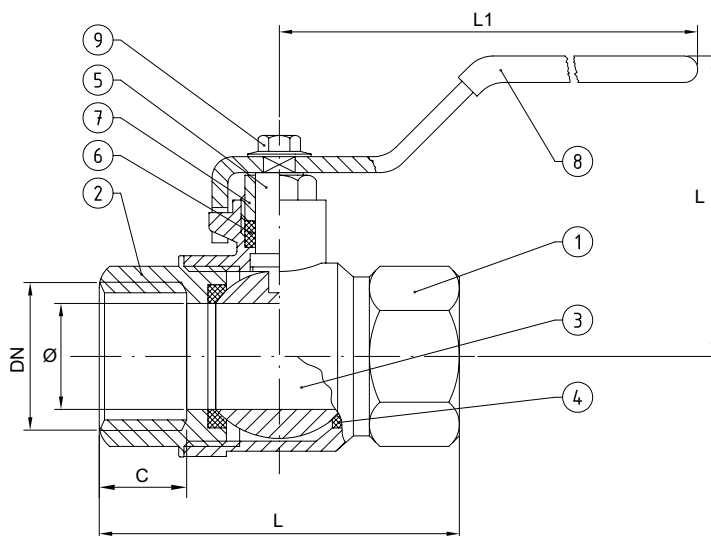


Article no.	Size	Max Pressure BAR	Price £	Price €
<b>04443015</b>	1/2"	PN40	<b>£288.90</b>	<b>€297.90</b>
<b>04443020</b>	3/4"	PN40	<b>£318.60</b>	<b>€328.50</b>
<b>04443025</b>	1"	PN40	<b>£359.30</b>	<b>€370.50</b>

Other sizes available on request

## Materials

- |   |            |                                |
|---|------------|--------------------------------|
| 1 | Body       | Al/bronze B148 C95800          |
| 2 | Body end   | Al/bronze B148 C95800          |
| 3 | Ball       | Al/bronze B148 C95800          |
| 4 | Ball seat  | PTFE                           |
| 5 | Stem       | Al/bronze CuAl10Ni5Fe4 EN12163 |
| 6 | Packing    | PTFE                           |
| 7 | Pack gland | Brass-CW614N UNI EN12164       |
| 8 | Handle     | Steel Fe 11 UNI EN10111        |
| 9 | Screw      | Steel Fe 42 UNI EN10025        |



	1/4"	3/8"	1/2"	3/4"	1"	1 1/4"	1 1/2"	2"	2 1/2"	3"	4"
Ø(mm)	10	10	15	20	25	32	40	50	65	80	100
L (mm)	57	57	57	68	79	93	107	130	152	175	200
L1 (mm)	92	92	92	92	126	126	142	142	286	286	286
H (mm)	55	55	55	56	68	72	82	91	125	135	165
C (mm)	9	9	14	17	19	21	22	26	30	30	35
Weight (Kg)	0.255	0.255	0.255	0.380	0.580	0.920	1.650	2.300	4.150	5.800	9.100